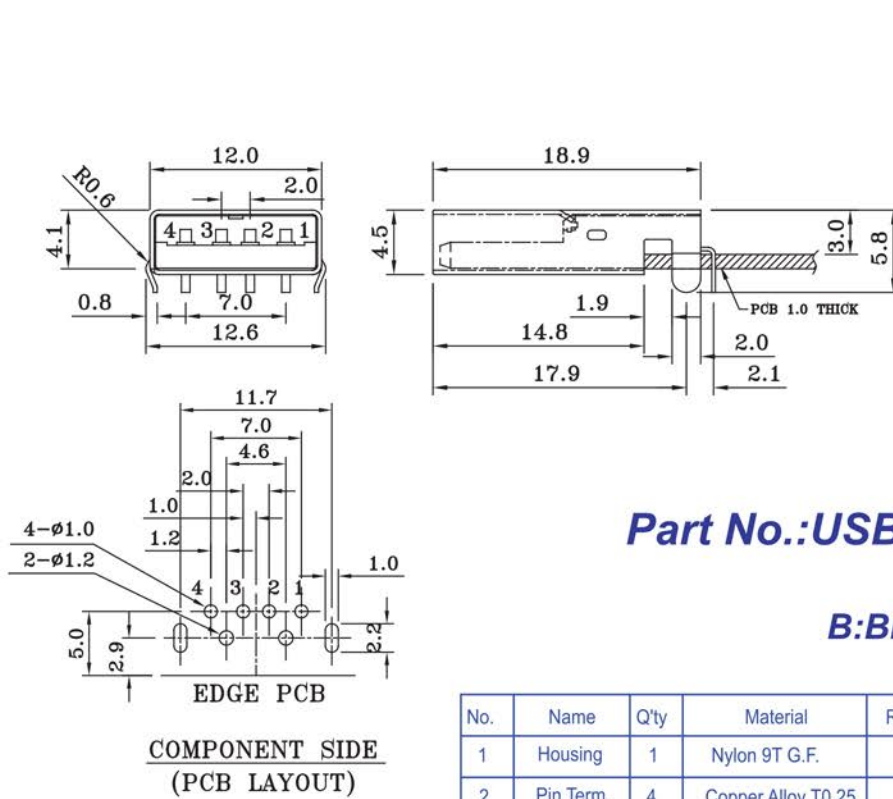


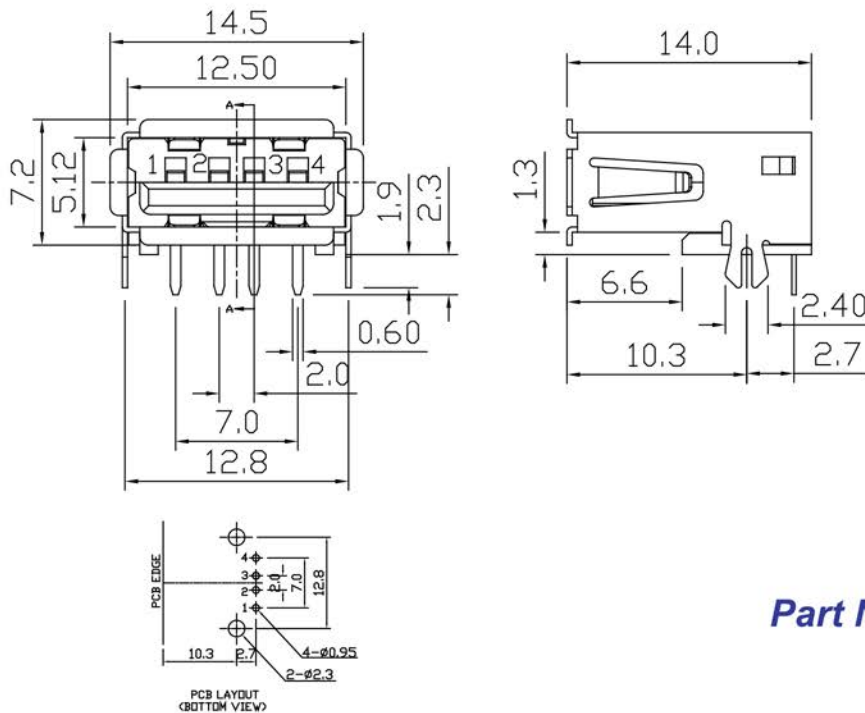
USB Conn.

USB Male Dip 90° A Type



No.	Name	Q'ty	Material	Remarks & Thickness	Finish
1	Housing	1	Nylon 9T G.F.		White/Black
2	Pin Term.	4	Copper Alloy T0.25	Ni:1~1.5u; Tin:3u. Gold:1~3u"	Gold/Tin Plated
3	Shell	1	Brass T:0.3	Ni:2~3u	Nickel Plated

USB Female Reverse Flat Dip 90° A Type



No.	Name	Material	Finish	Q'TY	Remark
1	Housing	PBT G.F.	Black/White	1	
2	Terminal	Phos. Bronze T=0.25	Gold/Tin Plated	4	Gold:1~3 u"; Ni:40~60 u"; Tin:120 u" (100% Pure Tin of Lead Free Plating)
3	Shell	Brass T=0.3	Nickel Plated	1	Ni:80~120u"