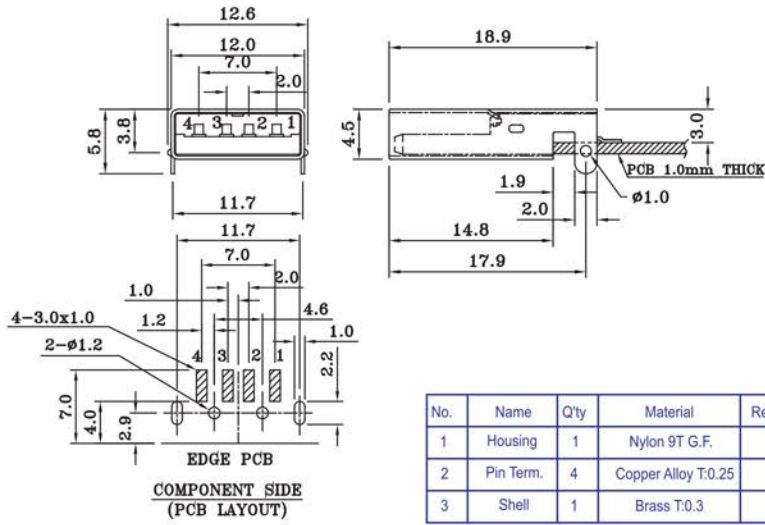


# USB Conn.

## USB Male SMT 90° A Type

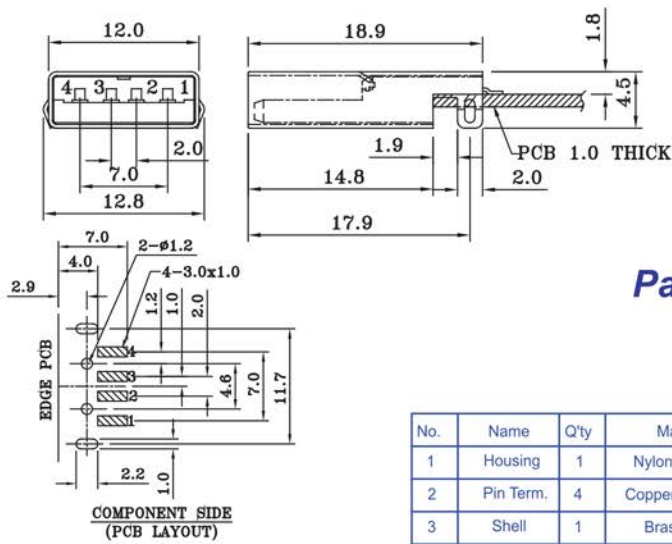


Part No.: USB-001MS-A□-U

B:Black W:White

No.	Name	Q'ty	Material	Remarks & Thickness	Finish
1	Housing	1	Nylon 9T G.F.		White/Black
2	Pin Term.	4	Copper Alloy T:0.25	Ni:1-1.5u; Tin:3u; Gold:1-3u**	Gold/Tin Plated
3	Shell	1	Brass T:0.3	Ni:2-3u	Nickel Plated

## USB Male SMT 90° A Type

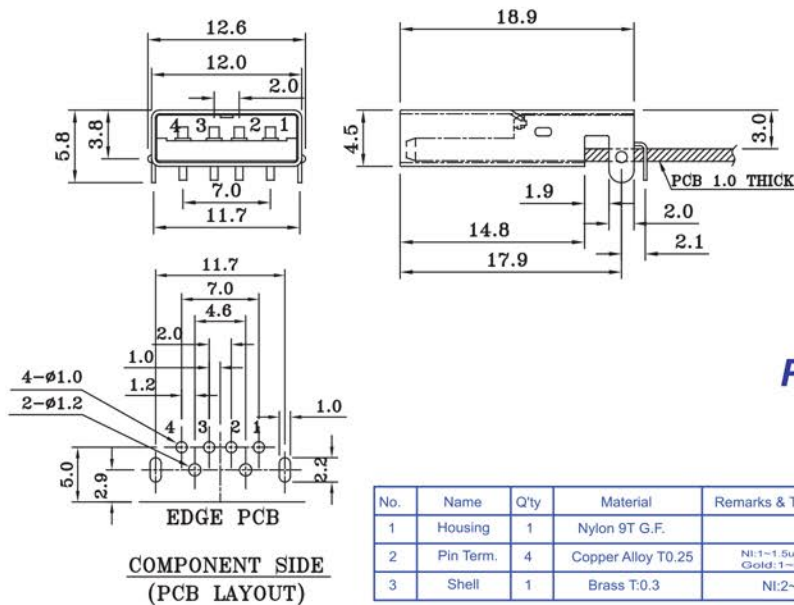


Part No.: USB-001MSK1-A1□-U

B:Black W:White

No.	Name	Q'ty	Material	Remarks & Thickness	Finish
1	Housing	1	Nylon 9T G.F.		White/Black
2	Pin Term.	4	Copper Alloy T:0.25	Ni:1-1.5u; Tin:3u; Gold:1-3u**	Gold/Tin Plated
3	Shell	1	Brass T:0.3	Ni:2-3u	Nickel Plated

## USB Male Dip 90° A Type



Part No.: USB-001MD-A□-U

B:Black W:White

No.	Name	Q'ty	Material	Remarks & Thickness	Finish
1	Housing	1	Nylon 9T G.F.		White/Black
2	Pin Term.	4	Copper Alloy T:0.25	Ni:1-1.5u; Tin:3u; Gold:1-3u**	Gold/Tin Plated
3	Shell	1	Brass T:0.3	Ni:2-3u	Nickel Plated