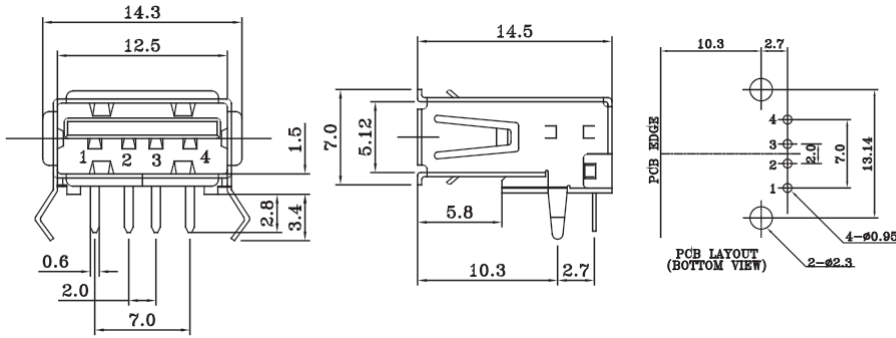


USB Female Dip 90° A Type



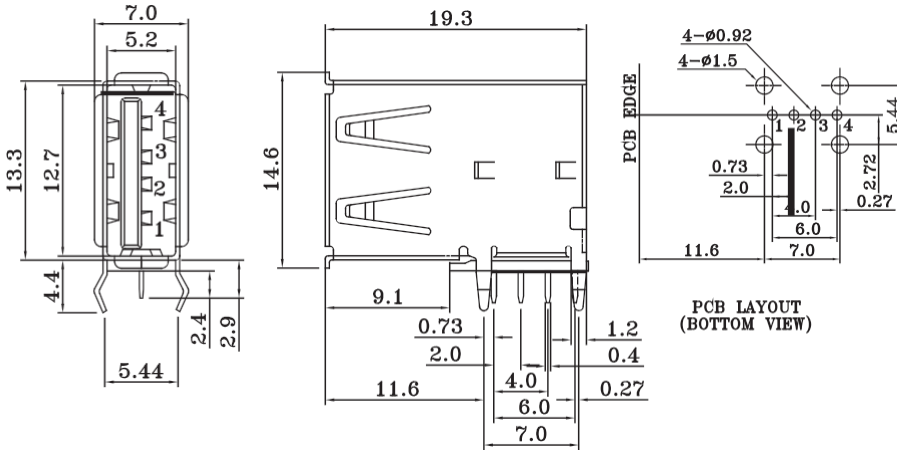
Part No.: **USB-001-A** -L

B:Black W:White

No.	Name	Q'ty	Material	Remarks & Thickness	Finish
1	Housing	1	PBT G.F.		White/Black
2	Pin Term.	4	Copper Alloy T:0.25	Gold:1-3u", Ni:40-60, Tin:120u" (100% Pure Tin or Lead Free Plating)	Gold/Tin Plating
3	Shell	1	Brass T:0.3	Ni:2-3u	Nickel Plated

USB Conn. Series

USB Female Dip Upright A Type

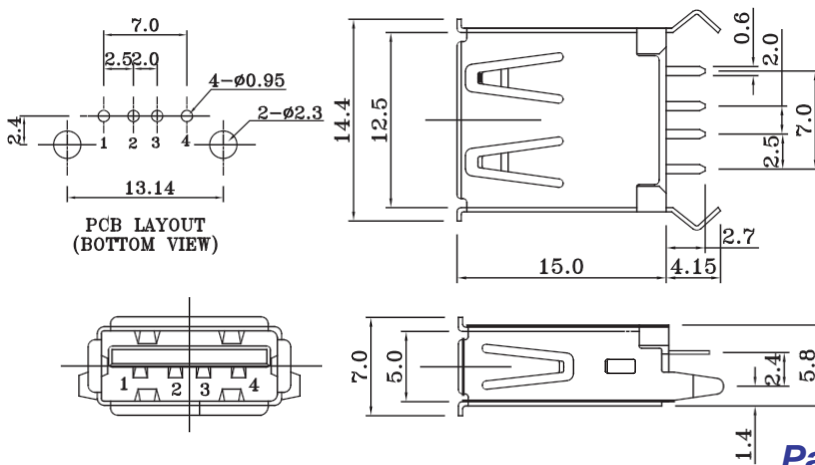


Part No.: **USB-001V-A** -L

B:Black W:White

No.	Name	Q'ty	Material	Remarks & Thickness	Finish
1	Housing	1	PBT G.F. Copper		White/Black
2	Pin Term.	4	Alloy T:0.25	Ni:1-1.5u; Tin:3u; Gold:1-3u"	Gold/Tin Plated
3	Shell	1	Brass T:0.3	Ni:2-3u	Nickel Plated
4	Shell	1	Spcc T:0.3	Ni:2-3u	Nickel Plated
5	Bottom Cover	1	PBT G.F.		White

USB Female Dip 180° A Type



Part No.: **USB-001K-A** -L

B:Black W:White

No.	Name	Q'ty	Material	Remarks & Thickness	Finish
1	Housing	1	PBT G.F. Copper		White/Black
2	Pin Term.	4	Alloy T:0.25	Ni:1-1.5u; Tin:3u; Gold:1-3u"	Gold/Tin Plated
3	Shell	1	Brass T:0.3	Tin:3-5u	Tin Plated
4	Bottom Cover	1	PBT G.F.		White