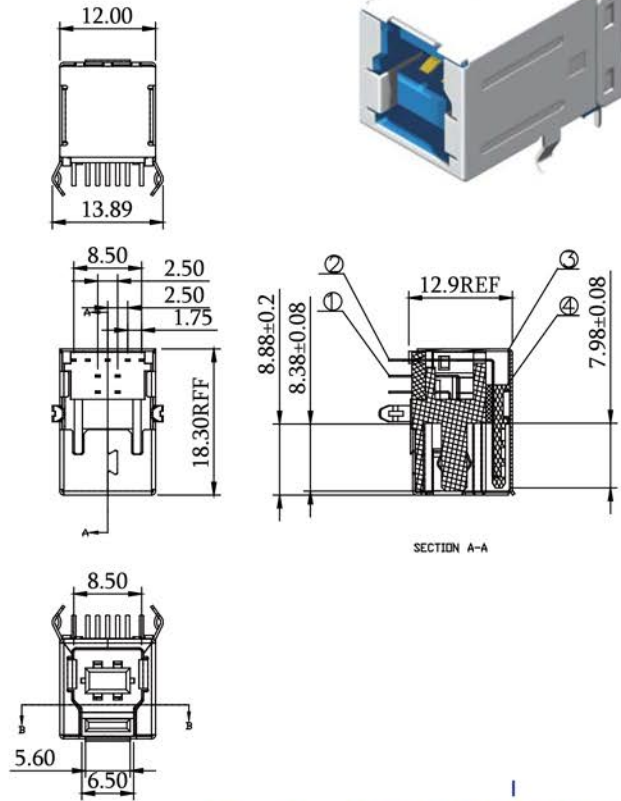
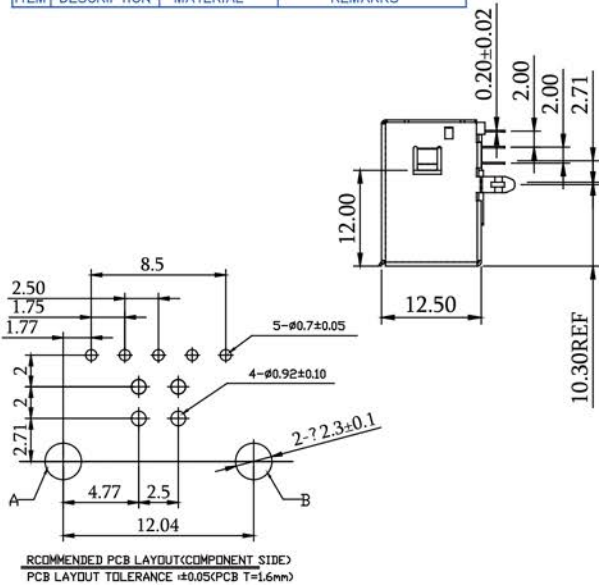


USB Conn.

USB 3.0 Female Dip 90° B Type

1. ELECTRIC:
 a. CONTACT RESISTANCE: 30 MILLIOHMS MAX
 b. INSULATION RESISTANCE: 1000 MEGA OHMS MIN
 c. DIELECTRIC VOLTAGE: 1.8A AT 250V AC MIN
 d. OPERATING TEMPERATURE: -55°C- 85°C
2. INSERTION FORCE: 35N Max
 EXTRACTION FORCE: 10N MIN INITIAL AND 8N MIN AFTER THE SPECIFIED

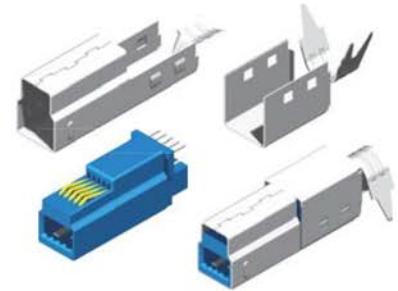
4	HOUSING	PBT	UL94V-0
3	SHELL	SPCC or Brass	OVEP-PIATING: Ni Or Au
2	5P TERMINAL	Brass T=0.2mm	OVEP-PIATING: Au Ni/Sn
1	4P TERMINAL	Phosphor Bronze T=0.2mm	OVEP-PIATING: Au Ni/Sn
ITEM	DESCRIPTION	MATERIAL	REMARKS



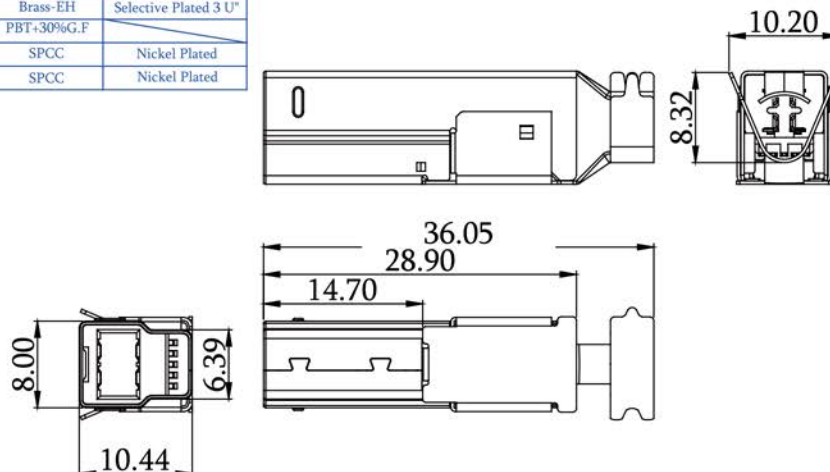
Part No.: USB-001-BU-3.0-L

USB 3.0 Male Solder B Type

- Product Specification:
 1.1 Current rating: 1 A Max.
 1.2 Dielectric withstanding voltage: 500 V(ac) for 1 minute.
 1.3 Contact resistance: 30 mw Max.
 1.4 Insulation resistance: 1000 MW Min at DC 500v.
 1.5 Temperature range: -55°C ~ +105°C.



ITEM	TITLE	MATERIAL	PLATING
1.	Contact A (5 Pin)	Brass-EH	Selective Plated 1 U ¹
2.	Top Cover	PBT+30%G.F	
3.	Bottom Cover	PBT+30%G.F	
4.	Contact B (5 Pin)	Brass-EH	Selective Plated 3 U ¹
5.	Housing	PBT+30%G.F	
6.	Front Shell	SPCC	Nickel Plated
7.	Rear Shell	SPCC	Nickel Plated



Part No.: USB-MSLA-BU-3.0-L