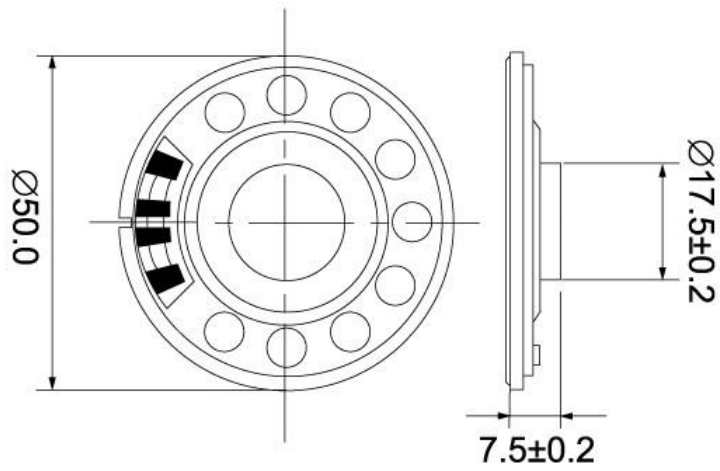
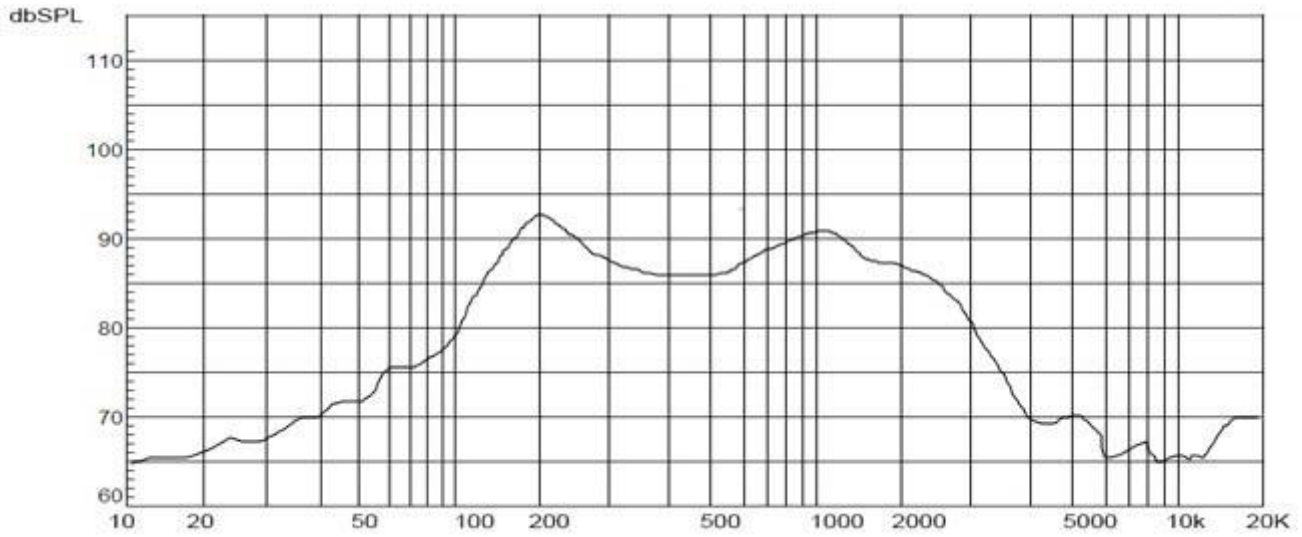


MODEL NO.:T50N-C

size:50*7.5mm
magnet:17.5mm
RMS:0.5W
max power:0.8W





.	Model No.	T50N-C
2	Cone Material:	Mylar
3	Edge:	
4	Nominal Power:	0.8w
5	Maximum Power:	1.0w
6	Impedance:	ohm±15%Ω
7	Voice coil:	
8	Fo:	150hz
9	Response:	Fo-20kHz
10	S.P.L:	85±3dB/W/M
11	Magnet Size:	NdFeB
