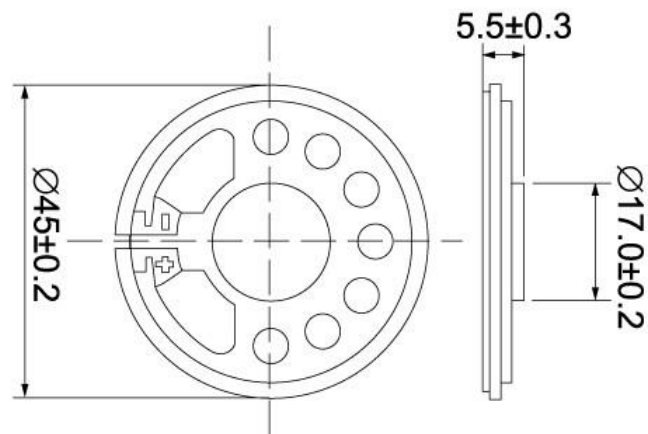
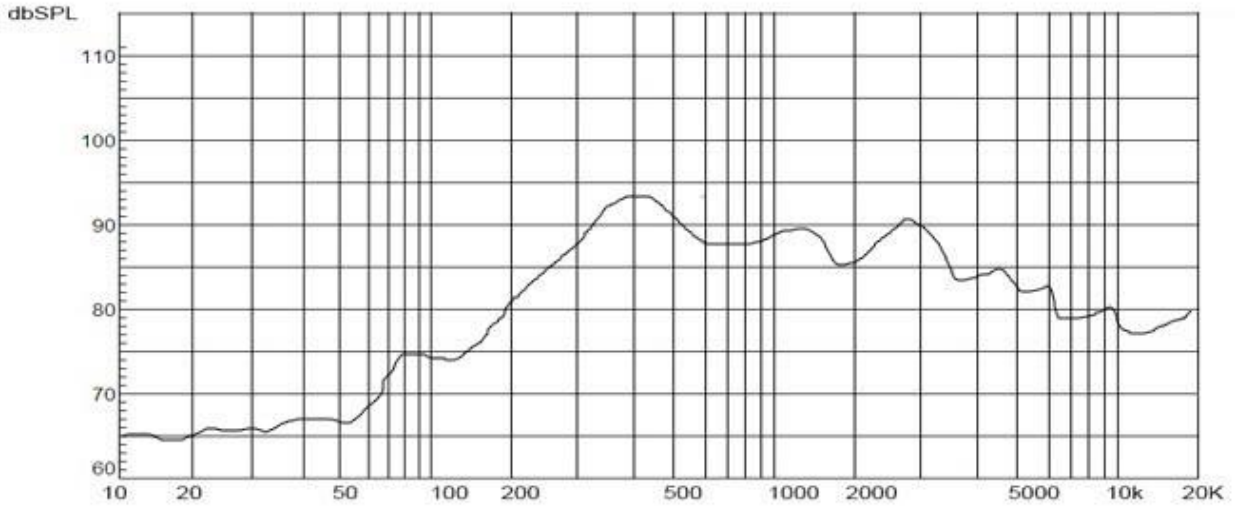


Model No.:T45N-A

size:45\*5.5mm  
magnet:17mm  
RMS:0.5W  
max power:1.0W  
S.P.L: 85±3dB





1	Model No.	T45N-A
2	Cone Material:	Mylar
3	Edge:	
4	Nominal Power:	0.8w
5	Maximum Power:	1.0w
6	Impedance:	ohm±15%Ω
7	Voice coil:	
8	Fo:	300hz
9	Response:	Fo-20kHz
10	S.P.L:	85±3dB/W/M
11	Magnet Size:	NdFeB