



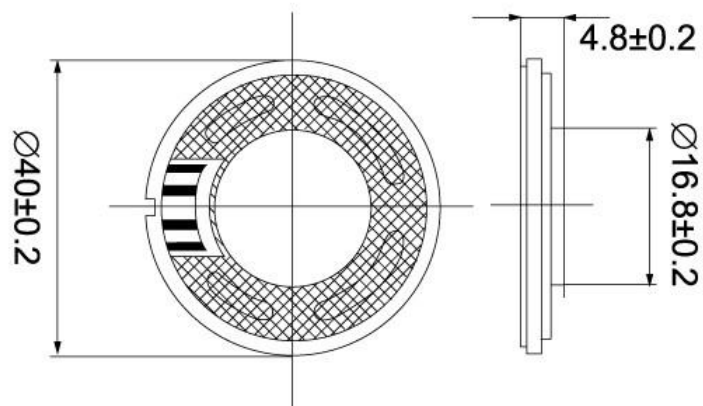
Model No.: T40N-B
Size: 40*4.8mm

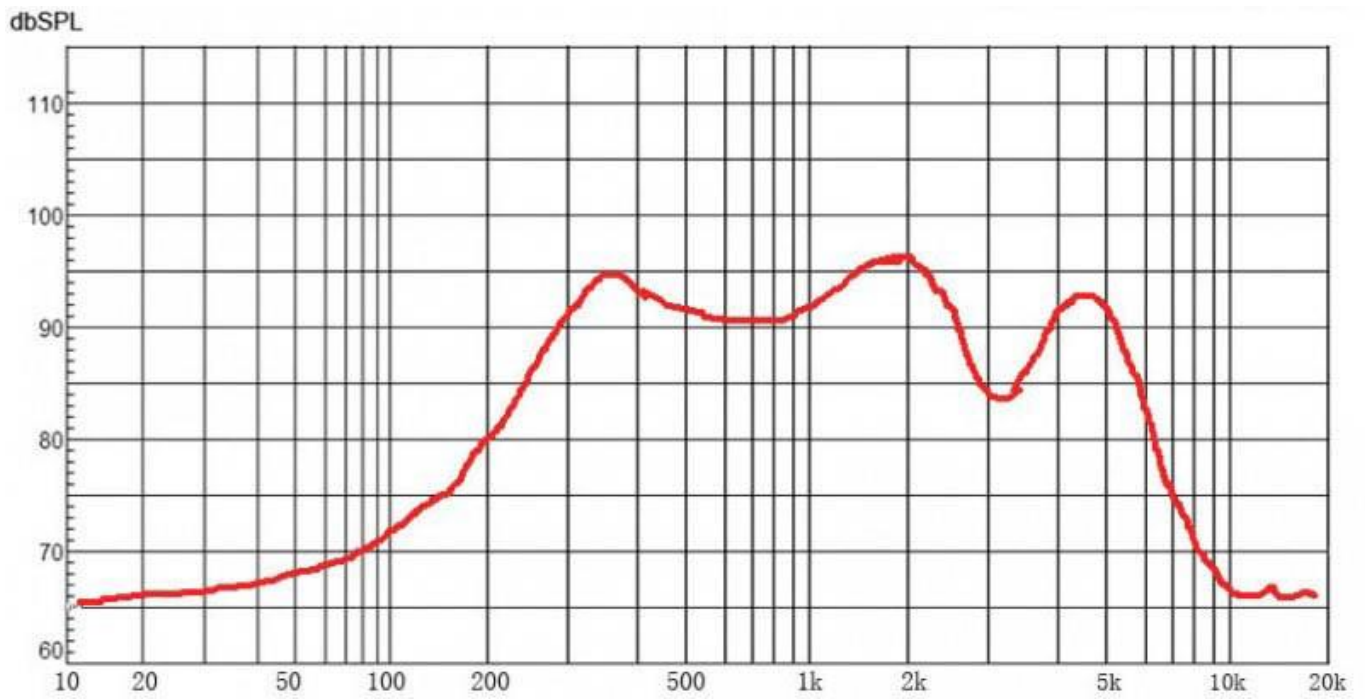
Nominal Power: 0.5w

Maximum power: 0.8w

Impedance: ohm±15%Ω

S.P.L: 91±3dB





1	Model No.	T40N-B
2	Cone Material:	Mylay
3	Edge:	
4	Nominal Power:	0.5w
5	Maximum Power:	0.8w
6	Impedance:	ohm±15%Ω
7	Voice coil:	
8	Fo:	300hz
9	Response:	Fo-20kHz
10	S.P.L:	91±3dB/W/M
11	Magnet Size:	NdFeB