

MODEL
T40N-A-XX



XX = Impedance

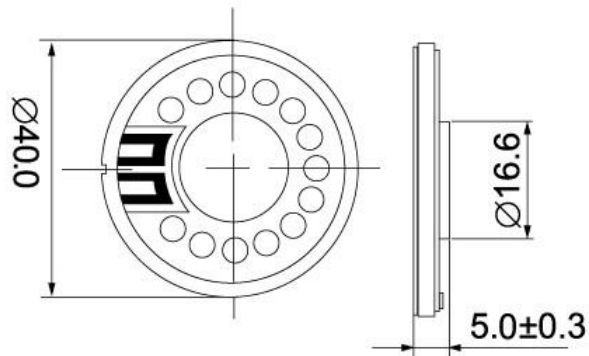
Model No.: T40N-A
Size: 40*5.0mm

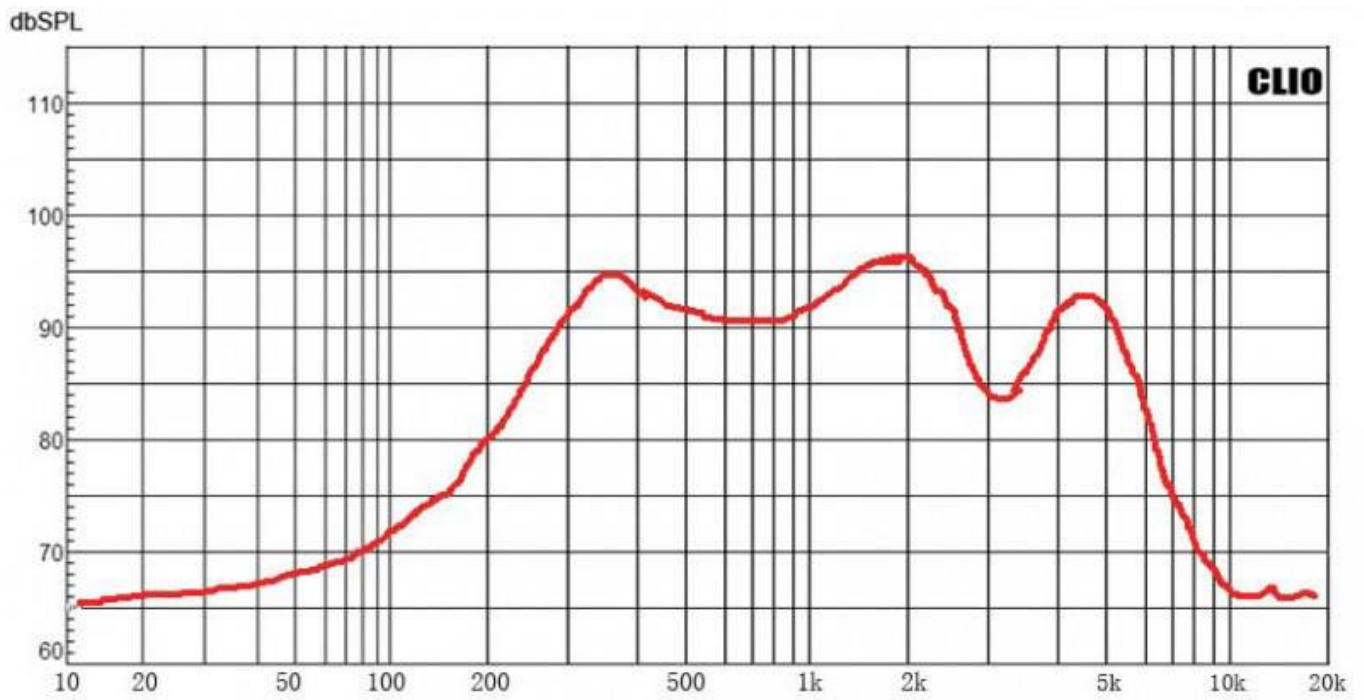
Nominal Power: 0.5w

Maximum power: 0.8w

Impedance: 4/8/16/32/64/120 ohm $\pm 15\% \Omega$

S.P.L: 91 ± 3 dB





.	Model No.	T40N-A-XX
2	Cone Material:	Mylay
3	Edge:	
4	Nominal Power:	0.5w
5	Maximum Power:	0.8w
6	Impedance:	XX ohm $\pm 15\% \Omega$
7	Voice coil:	
8	Fo:	300hz
9	Response:	Fo-20kHz
10	S.P.L:	91 ± 3 dB/W/M
11	Magnet Size:	NdFeB