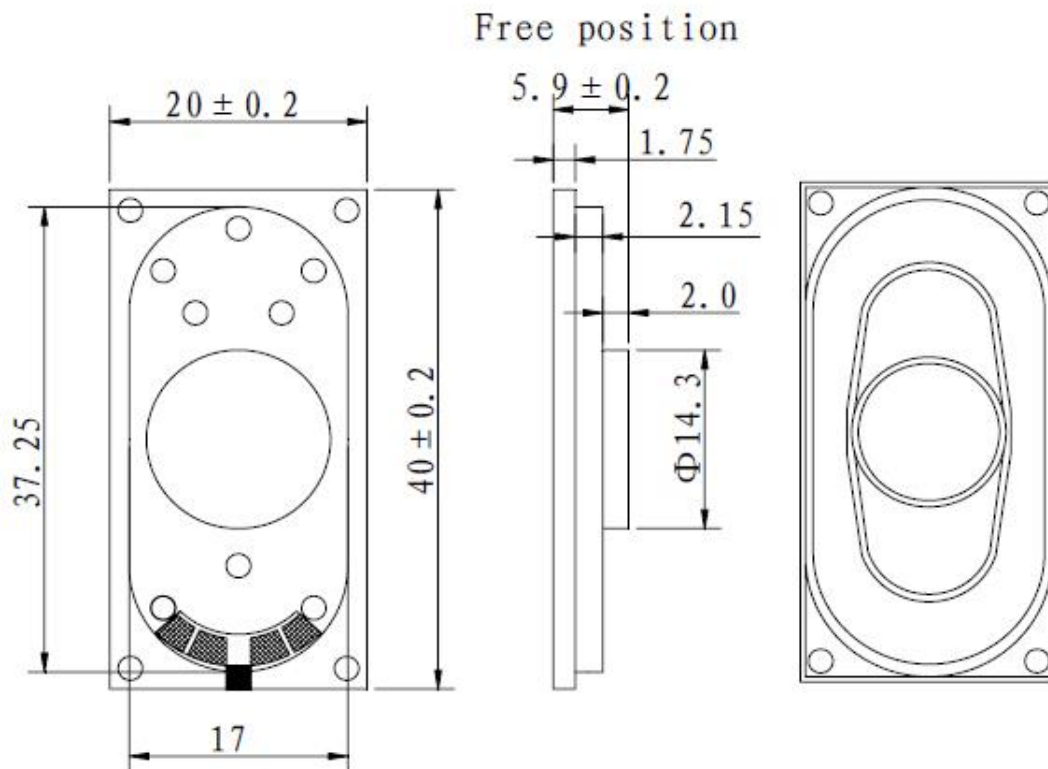
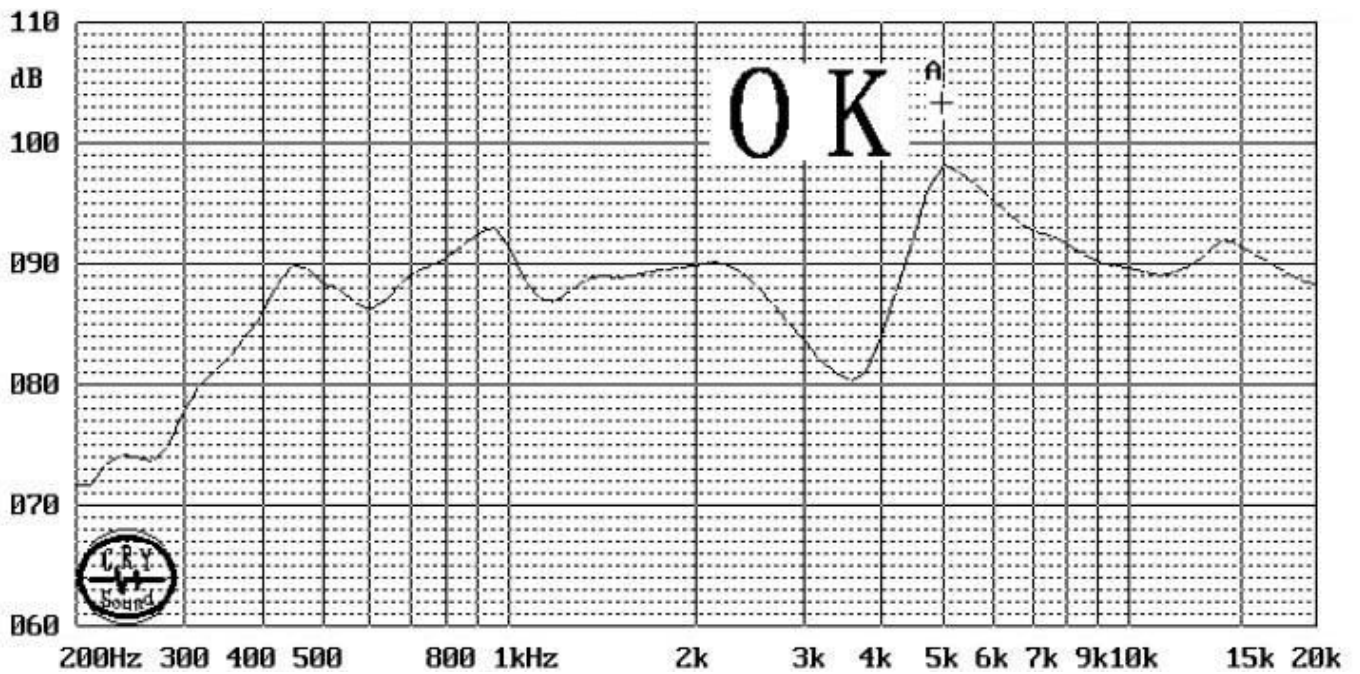


Model No.:T4020N-A

size:20*40*5.8mm
 magnet:14mm
 RMS:0.5W
 max power:1.0W
 S.P.L: 89±3dB





.	Model No.	T4020N-A
2	Cone Material:	cloth
3	Edge:	cloth
4	Nominal Power:	1.0w
5	Maximum Power:	1.2w
6	Impedance:	ohm±15%Ω
7	Voice coil:	
8	Fo:	550hz
9	Response:	Fo-20kHz
10	S.P.L:	89±3dB/W/M