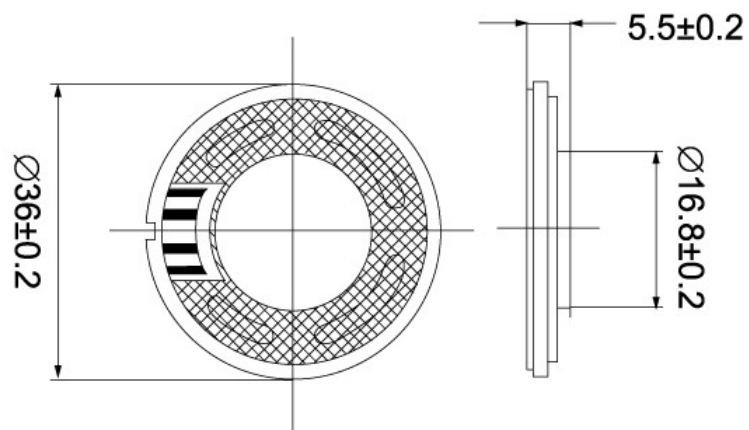
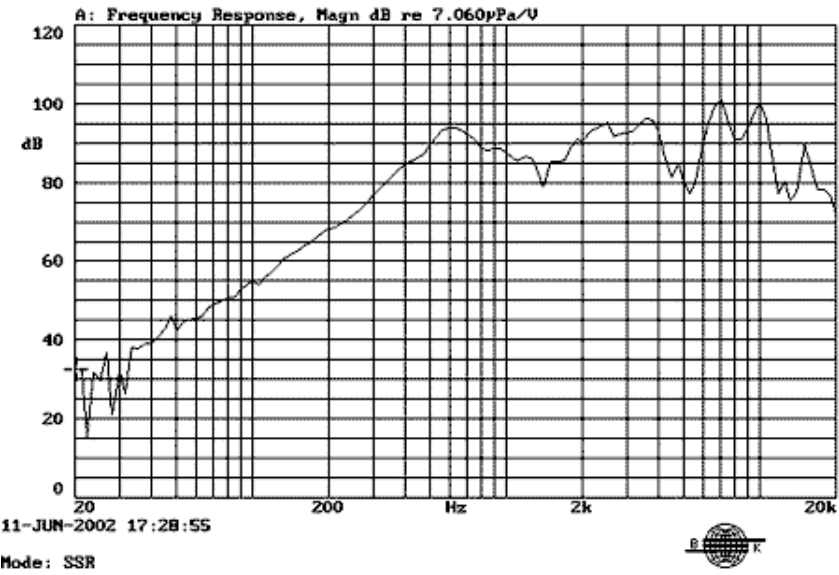


Model No.:T36N-C

size:36\*5.5mm  
magnet:17mm  
RMS:0.25W  
max power:0.5W  
S.P.L:91±3dB



X:20.000Hz \*Y:32.85dB\* ZA:Live Curve SSR Fund.



---

.	Model No.	T36N-C
2	Cone Material:	Mylay
3	Edge:	
4	Nominal Power:	0.25w
5	Maximum Power:	0.5w
6	Impedance:	ohm±15%Ω
7	Voice coil:	
8	Fo:	350hz
9	Response:	Fo-6kHz
10	S.P.L:	91±3dB/W/M
11	Magnet Size:	NdFeB

---