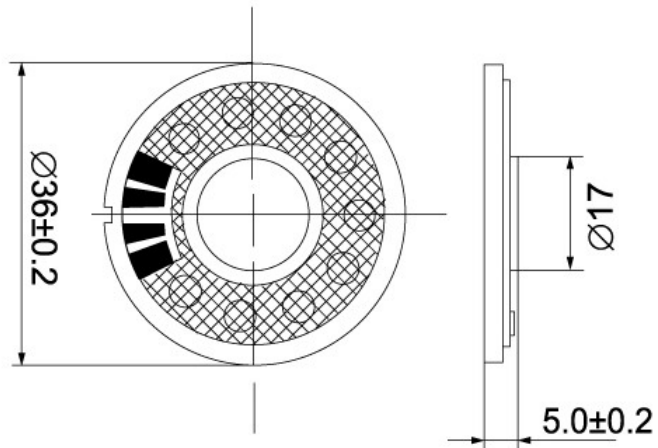
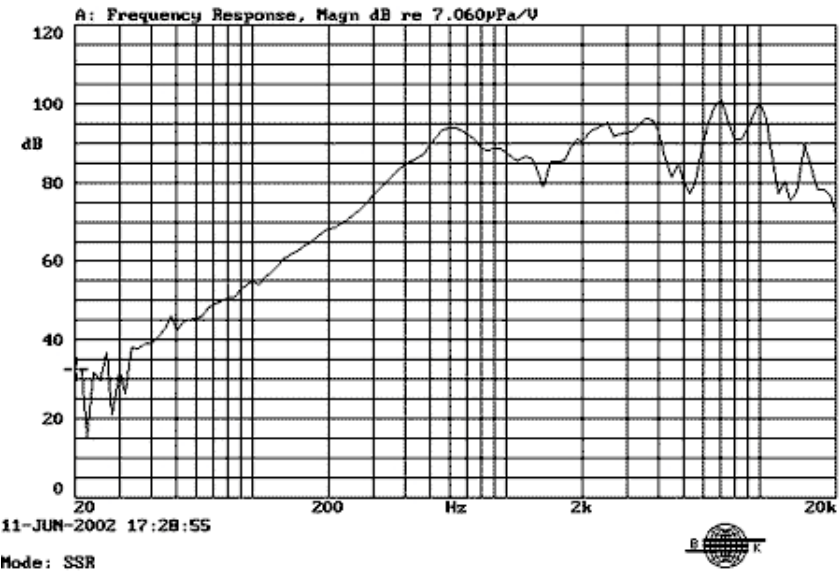


Model No.:T36N-A

size:36\*5.0mm  
magnet:17mm  
RMS:0.25W  
max power:0.5W  
S.P.L:95±3dB



X:20.000Hz \*Y:32.85dB\* ZA:Live Curve SSR Fund.



---

|    |                |            |
|----|----------------|------------|
| .  | Model No.      | T36N-A     |
| 2  | Cone Material: | Mylay      |
| 3  | Edge:          |            |
| 4  | Nominal Power: | 0.25w      |
| 5  | Maximum Power: | 0.5w       |
| 6  | Impedance:     | ohm±15%Ω   |
| 7  | Voice coil:    |            |
| 8  | Fo:            | 550hz      |
| 9  | Response:      | Fo-20kHz   |
| 10 | S.P.L:         | 95±3dB/W/M |
| 11 | Magnet Size:   | NdFeB      |

---