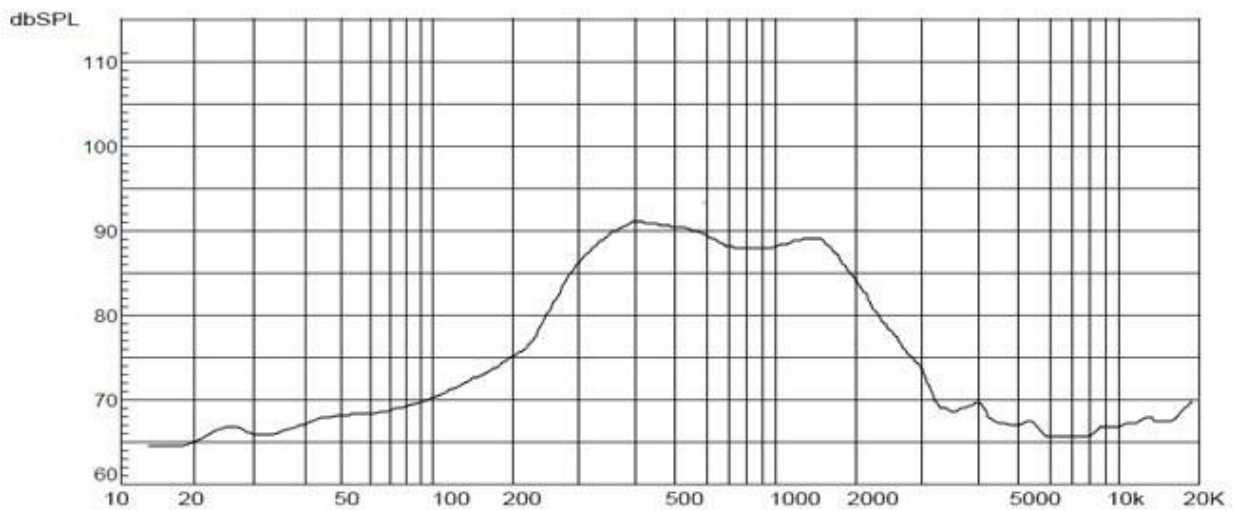
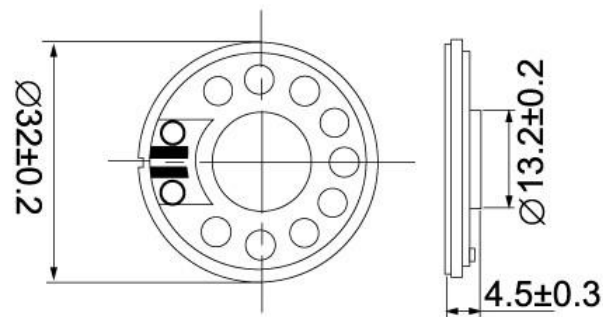


Model No.:T32N-A

size:32*4.5mm
magnet:13.2mm
RMS:0.25W
max power:0.5W
S.P.L:93±3dB



.	Model No.	T32N-A
2	Cone Material:	Mylay
3	Edge:	
4	Nominal Power:	0.25w
5	Maximum Power:	0.5w
6	Impedance:	ohm±15%Ω
7	Voice coil:	
8	Fo:	400hz
9	Response:	Fo-6kHz
10	S.P.L:	93±3dB/W/M
11	Magnet Size:	NdFeB
