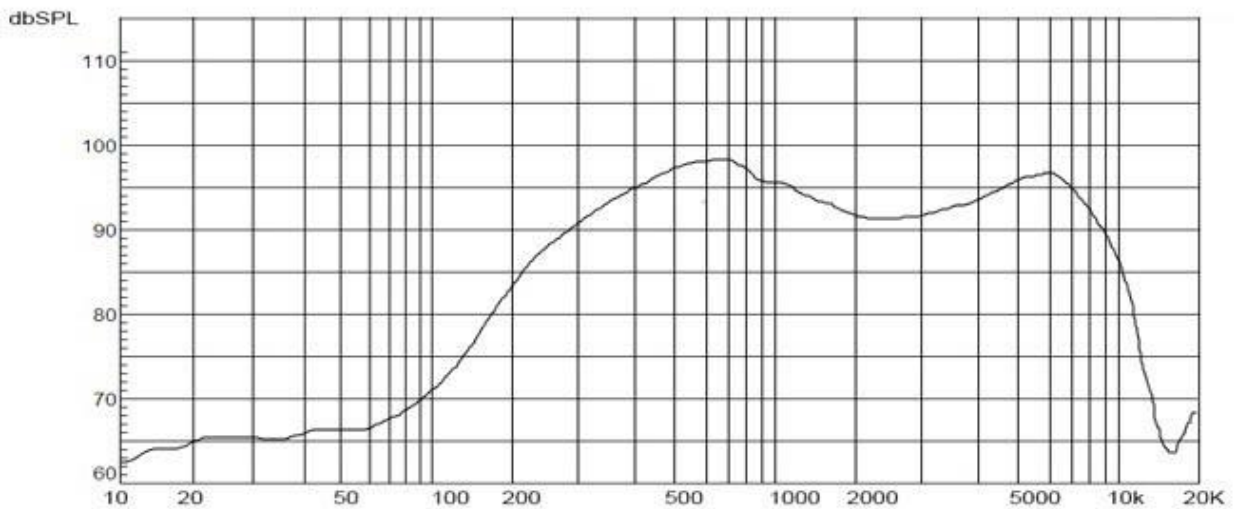
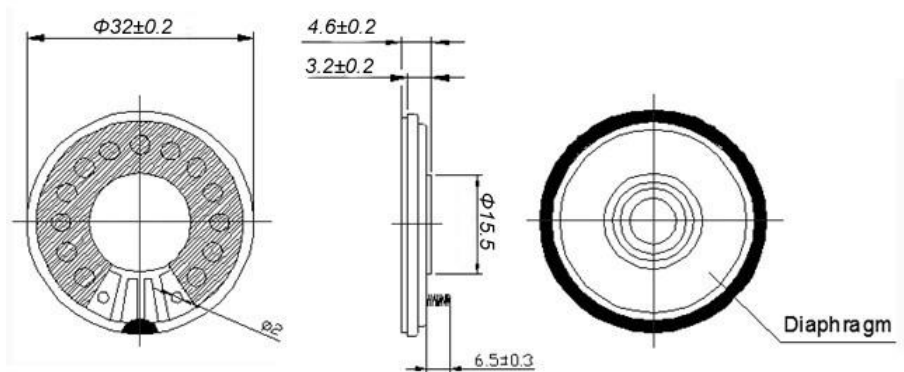


Model No.:T32N-A-R
 size:32*4.6mm
 magnet:15.5mm
 RMS:0.5W
 max power:0.8W
 S.P.L:91±3dB



| | | |
|----|----------------|------------|
| . | Model No. | T32N-A-R |
| 2 | Cone Material: | Mylay |
| 3 | Edge: | |
| 4 | Nominal Power: | 0.25w |
| 5 | Maximum Power: | 0.5w |
| 6 | Impedance: | ohm±15%Ω |
| 7 | Voice coil: | |
| 8 | Fo: | 380hz |
| 9 | Response: | Fo-6kHz |
| 10 | S.P.L: | 91±3dB/W/M |
| 11 | Magnet Size: | NdFeB |
