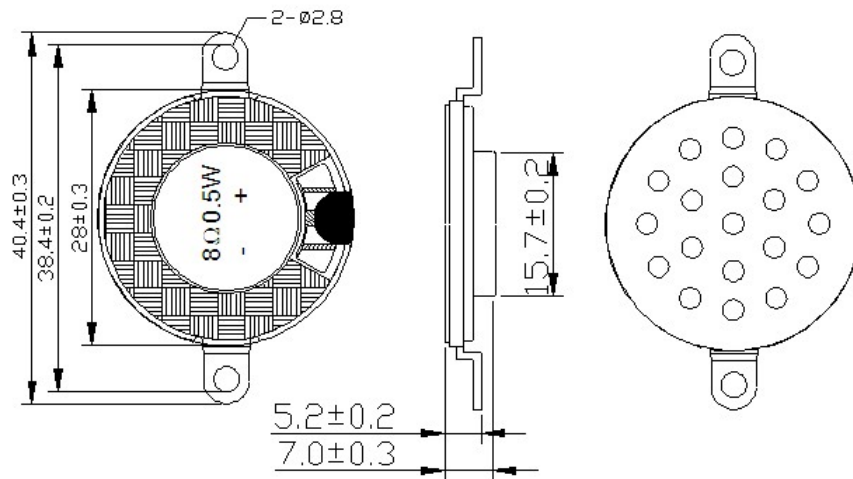
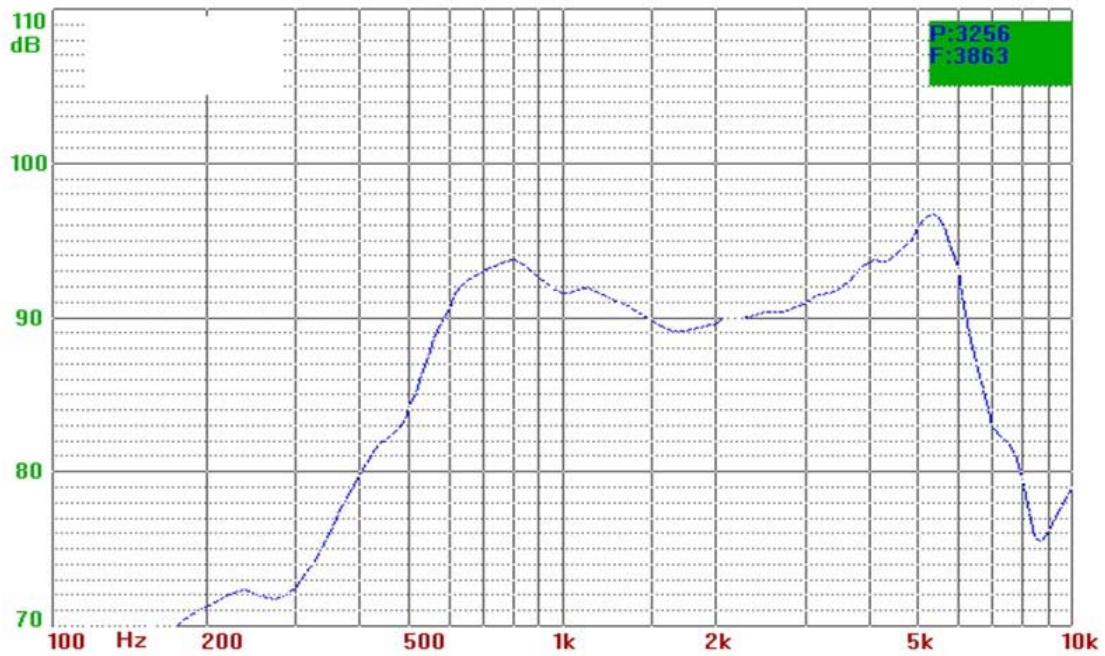


Model No.:T28N-C
 Nominal Power : 1.0W
 Maximum Power : 1.5W
 Impedance:8±15%Ω
 S.P.L:90±3dB





1	Model No.	T28N-C
2	Cone Material:	Mylay
3	Edge:	
4	Nominal Power:	1.0w
5	Maximum Power:	1.5w
6	Impedance:	ohm±15%Ω
7	Voice coil:	
8	Fo:	600hz
9	Response:	Fo-6kHz
10	S.P.L:	90±3dB/W/M
11	Magnet Size: NdFeB	12.5*1.5