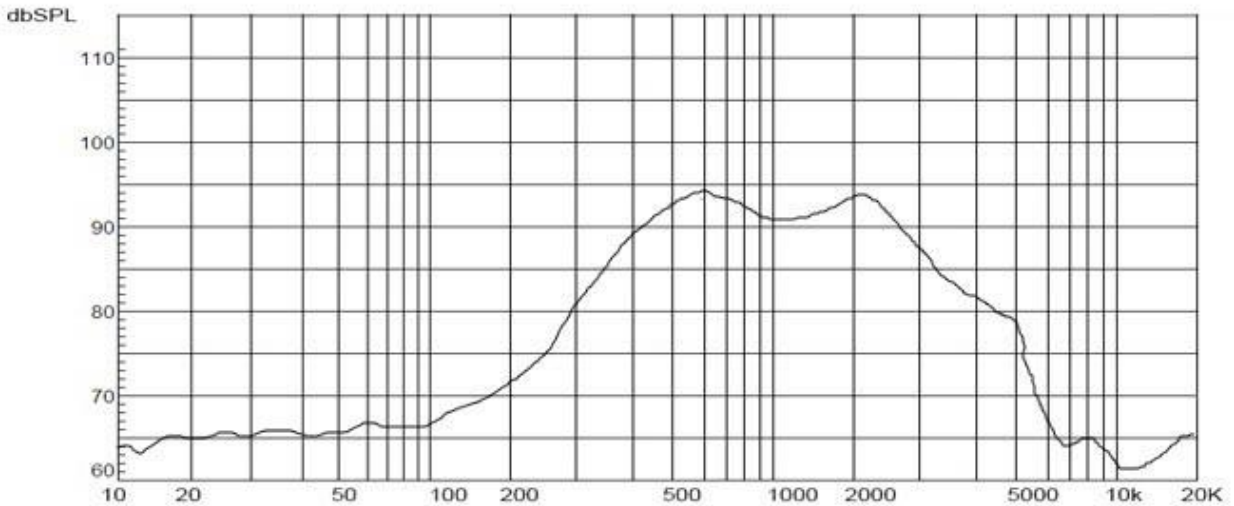
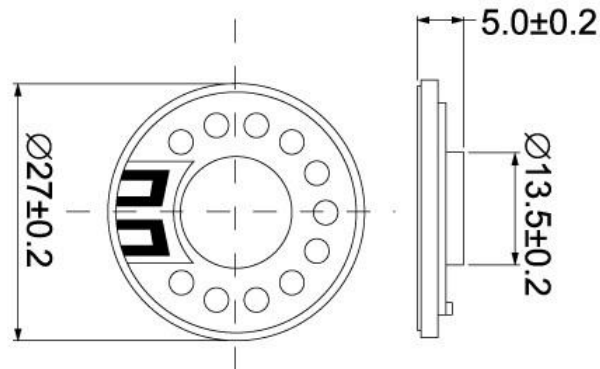


Model No.:T27N-A

size:27*5.0mm
 magnet:13mm
 RMS:0.25W
 max power:0.5W
 S.P.L :85±3dB



.	Model No.	T27N-A
2	Diaphragm	
3	Frame	
4	Nominal Power:	
5	Maximum Power:	0.25W
6	Impedance:	0.5W
7	Voice coil:	
8	Fo:	600 HZ
9	Response:	Fo-20kHz
10	S.P.L	85±3dB/0.1W/0.1
11	Magnet Size:	Ferrit
