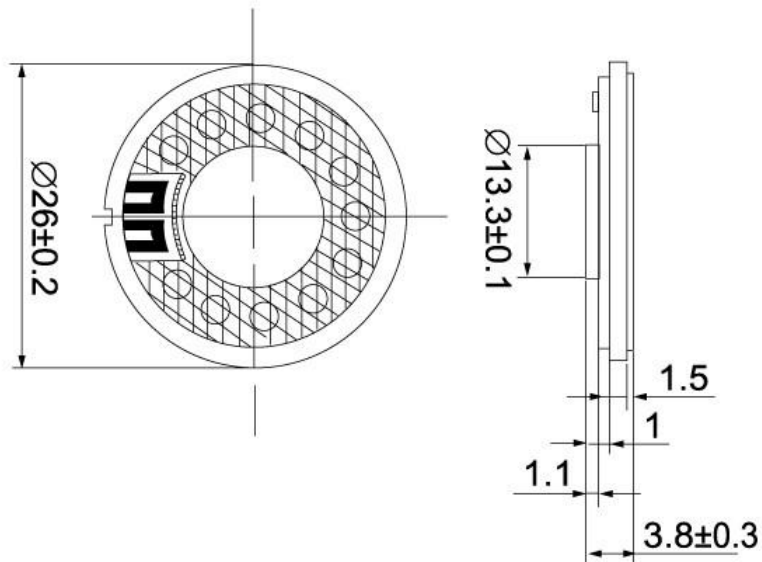
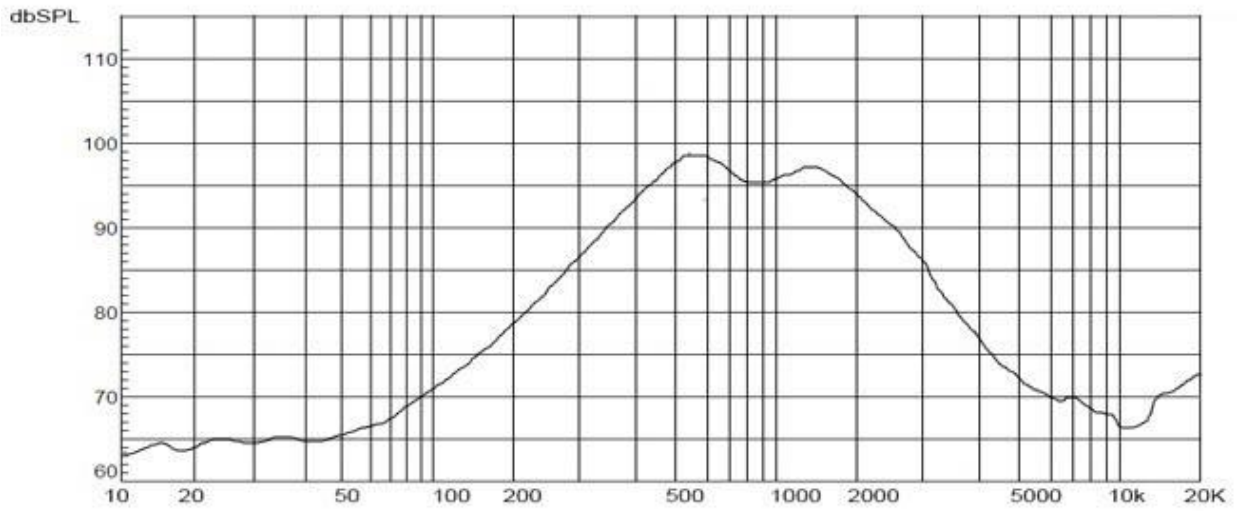


Model No.:T26N-A
Nominal Power : 0.25W
Maximum Power : 0.5W
Impedance:ohm
S.P.L:90±3dB





1	Model No.	T26N-A
2	Diaphragm	
3	Frame	
4	Nominal Power:	
5	Maximum Power:	0.25W
6	Impedance:	0.5W
7	Voice coil:	
8	Fo:	350~650 HZ
9	Response:	Fo-20kHz
10	S.P.L	90±3dB/0.1W/0.1
11	Magnet Size:NdFeB	