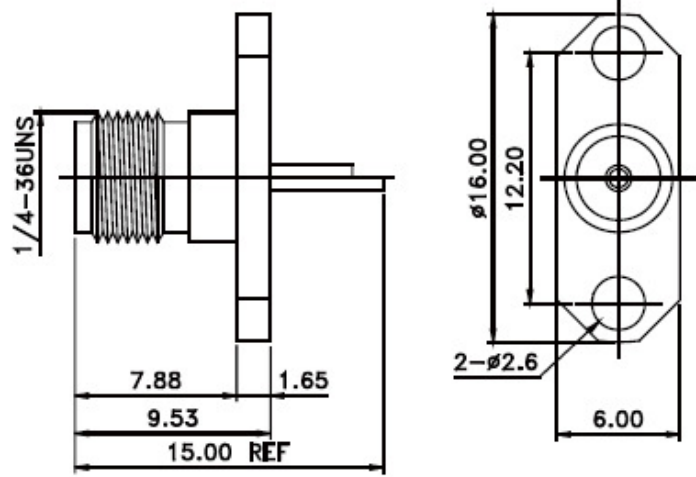



SMA Conn. Series



SMA003-F  GW-L
5:50 Ω 7:75 Ω

NO	DESCRIPTION	MATERIAL	FINISH	QTY
3	DIELECTRIC	TEFLON		1
2	PDN	BRASS	GOLD	1
1	BODY	BRASS	NICKEL	1

IMPEDANCE	50/75 OHM
FREQUENCY	0-12 GHz
DIELECTRIC WITHSTANDING VOLTAGE 50 Hz RMS	1000V
WORKING VOLTAGE DC	500V
INSULATION RESISTANCE	5000 MEGOHMS MIN
CONTACT RESISTANCE	INNER CONDUCTOR ≤ 3 MILLIOHMS
	OUTER CONDUCTOR ≤ 0.5 MILLIOHMS
INSERTION LOSS (dB MAX.)	STRAIGHT CONNECTOR 15 dB MAX. AT 1.0GHz
	RIGHT ANGLE CONNECTOR 30 dB MAX. AT 1.0GHz

TOPTEK
HARDWARE ELECTRONIC COMPONENTS



www.toptek-co.com