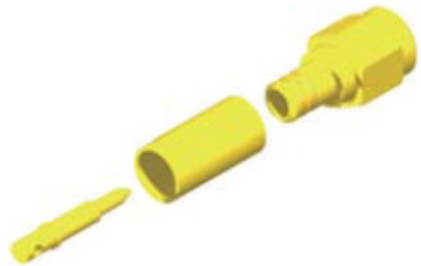

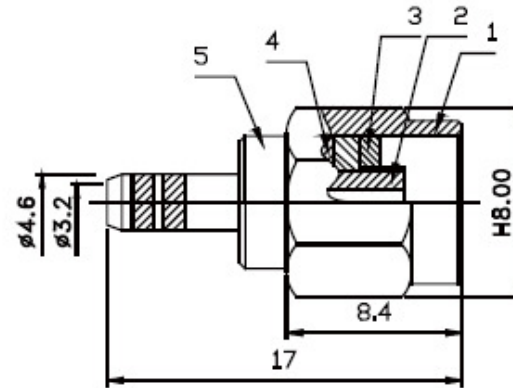
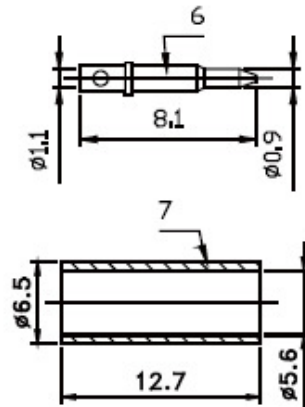


# SMA Conn. Series



**SMA001-M**  **GW-L**  
 5:50 Ω 7:75 Ω



NO	DESCRIPTION	MATERIAL	FINISH	QTY
7	FERRULE	BRASS	GOLD	1
6	MALE CONTACT	BRASS	GOLD	1
5	INNER BODY	BRASS	GOLD	1
4	WASHER	BRASS	GOLD	1
3	GASKET	SILICONE		1
2	INSULATOR	TEFLON		1
1	CONTACT BODY	BRASS	GOLD	1

IMPEDANCE	50/75 OHM
FREQUENCY	0-12 GHz
DIELECTRIC WITHSTANDING VOLTAGE 50 Hz RMS	1000V
WORKING VOLTAGE DC	500V
INSULATION RESISTANCE	5000 MEGOHMS MIN
CONTACT RESISTANCE	INNER CONDUCTOR
	OUTER CONDUCTOR
	≤ 3 MILLIOHMS
	≤ 0.5 MILLIOHMS
INSERTION LOSS (dB MAX.)	STRAIGHT CONNECTOR
	RIGHT ANGLE CONNECTOR
	≤ 1.5 dB MAX. AT 1.0GHz
	≤ 3.0 dB MAX. AT 1.0GHz

**TOPTEK**  
 HARDWARE ELECTRONIC COMPONENTS



www.toptek-co.com