

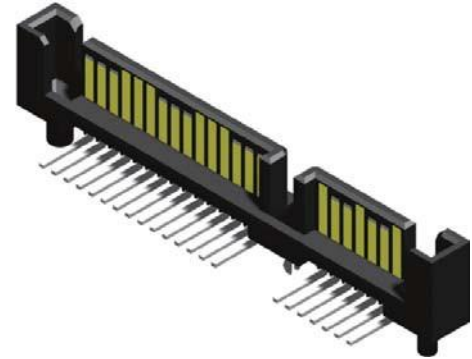
S.ATA 7+15P Male Connector For H.D Use

Specifications

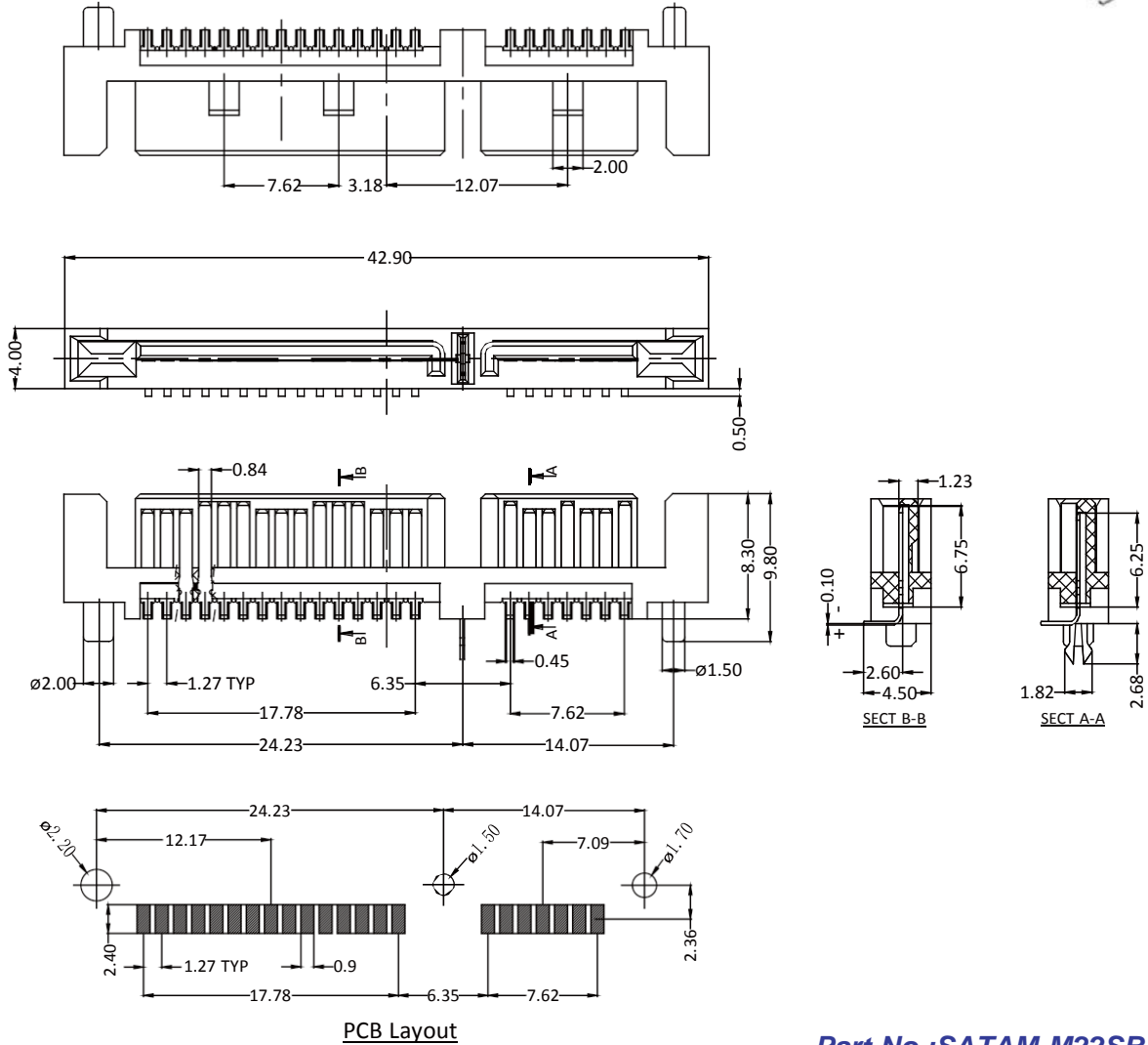
Current Rate:1.5 AMP
Insulation Resistance:1000M Ω Min
Contact Resistance:30 m Ω Max
Dielectric Voltage:500V AC for one minute
Operation Temperature:-55° C to +125° C

Material

Insulator:High temperature thermoplastic,UL 94V-0
Standard:LCP
Terminal:Copper Alloy
Plating:Selective Plating



Serial ATA



Part No.:SATAM-M22SB-HD-U

ORDER INFORMATION

