

S.ATA Conn. Series

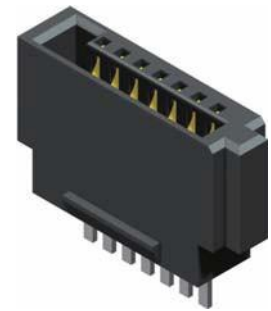
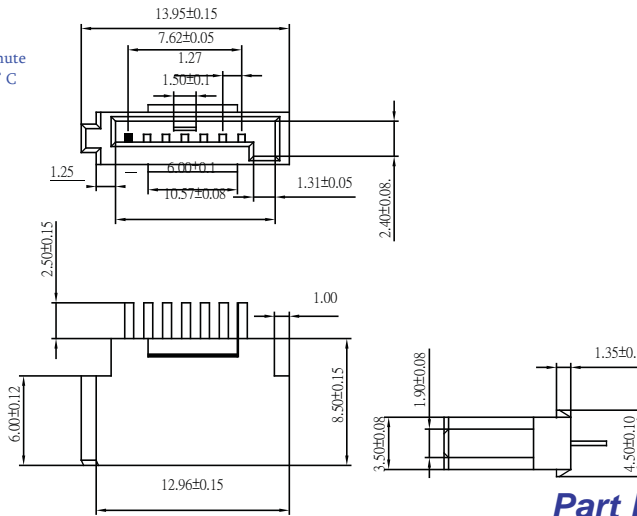
Serial ATA

Specifications

Current Rate:1.5 AMP
Insulation Resistance:1000M Ω Min
Contact Resistance:30 m Ω Max
Dielectric Voltage:500V AC for one minute
Operation Temperature:-55 ° C to +125 ° C

Material

Insulator:Polyester,UL 94V-0
©Standard:PBT
Terminal:Phosphor Bronze
Plating:Selective Plating



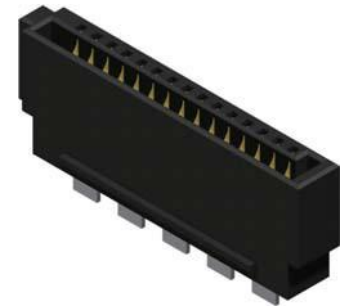
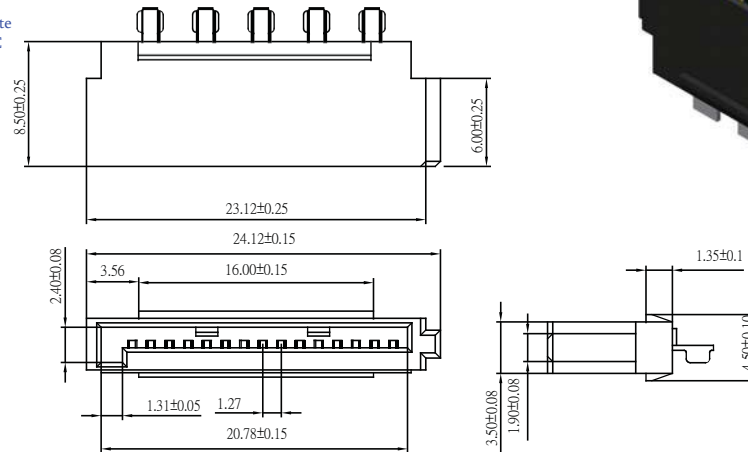
Part No.:SATAS-F07SB-L

Specifications

Current Rate:1.5 AMP
Insulation Resistance:1000M Ω Min
Contact Resistance:30 m Ω Max
Dielectric Voltage:500V AC for one minute
Operation Temperature:-55 ° C to +125 ° C

Material

Insulator:Polyester,UL 94V-0
©Standard:PBT
Terminal:Phosphor Bronze
Plating:Selective Plating



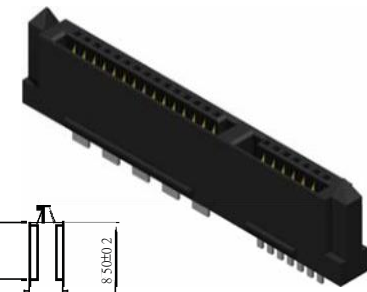
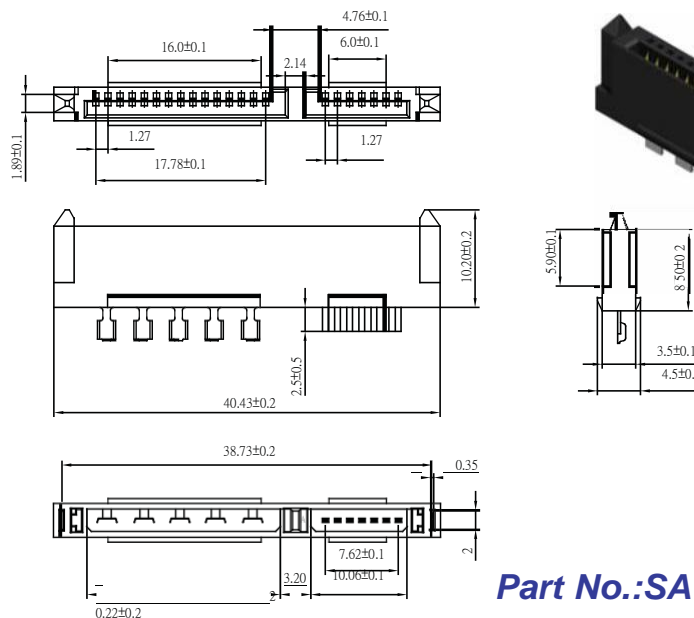
Part No.:SATAS-F15SB-L

Specifications

Current Rate:1.5 AMP
Insulation Resistance:1000M Ω Min
Contact Resistance:30 m Ω Max
Dielectric Voltage:500V AC for one minute
Operation Temperature:-55 ° C to +125 ° C

Material

Insulator:Polyester,UL 94V-0
©Standard:PBT
Terminal:Phosphor Bronze
Plating:Selective Plating



Part No.:SATAS-F22SB-L