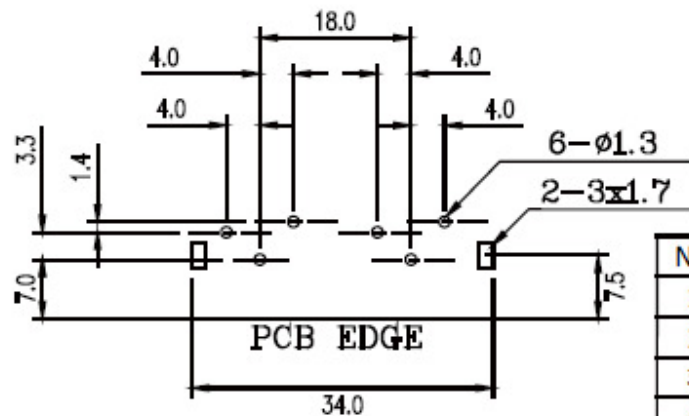
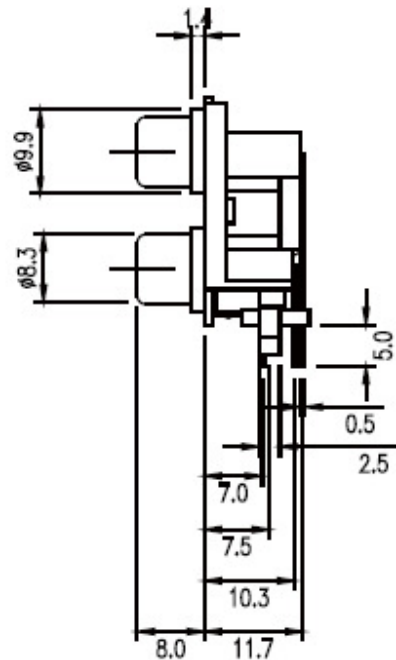
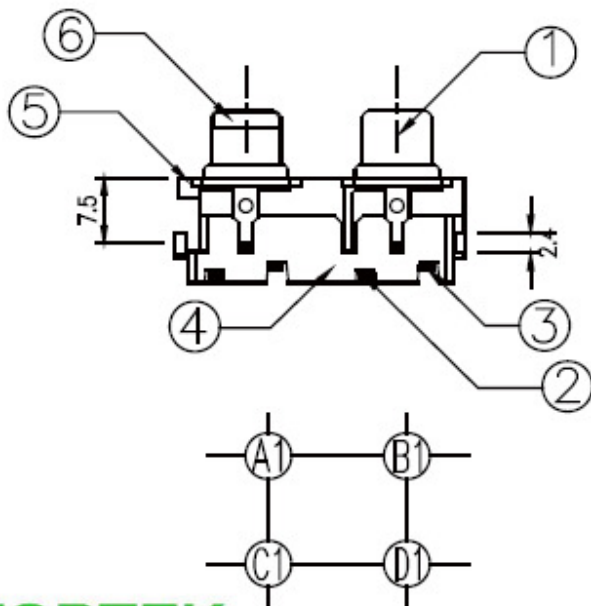
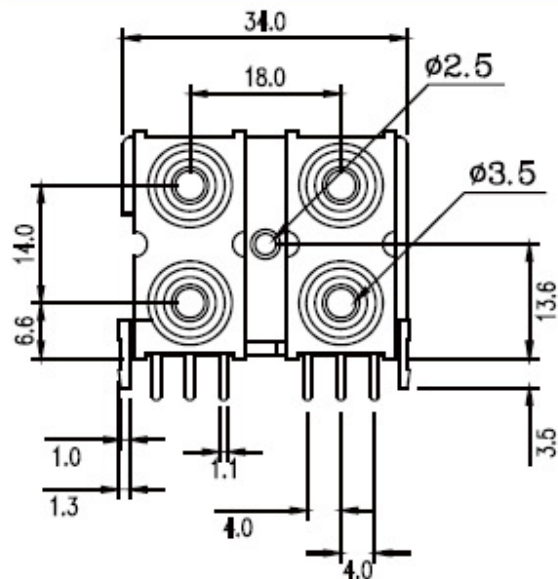
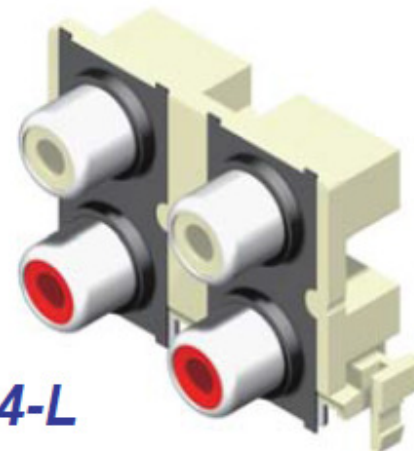


RCA Jack Conn.



Recommended PCB Layout
(PCB TOLERANCE ±0.05)



RCA-1418-4-L

SCHEMATIC		RING COLOR				
TOP	1	A1	B1	C1	D1	
	2	WHITE	WHITE	RED	RED	
BOTTOM	1	A	RED	WHITE	RED	WHITE
	2	B	YELLOW	YELLOW	YELLOW	YELLOW
	3	C	BLACK	BLACK	BLACK	BLACK

NO.	NAME	MATERIAL	FINISH	Q'TY
1	BARREL	BRASS	NICKEL PLATED	2
2	TOP TERM.	BRASS	TIN PLATED	2
3	BOTTOM TERM.	BRASS	TIN PLATED	2
4	HOUSING	ABS	WHITE	1
5	TOP COVER	ABS	BLACK	2
6	RING	P.B.T	R,W,Y,B	2

