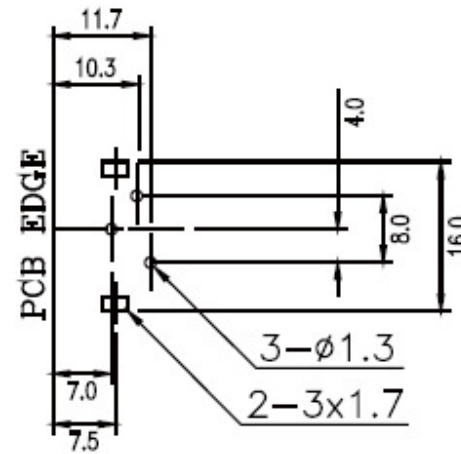
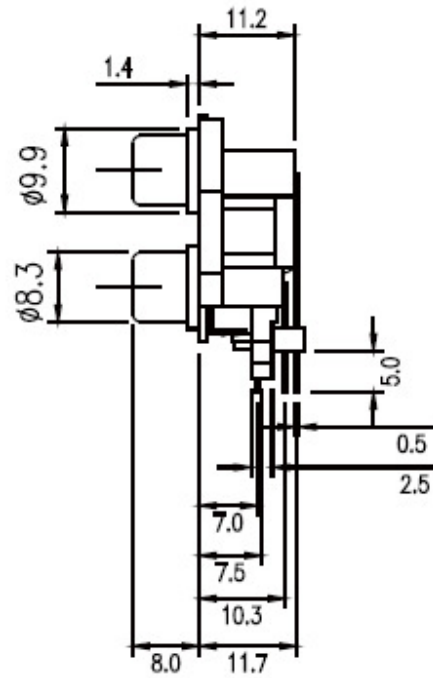
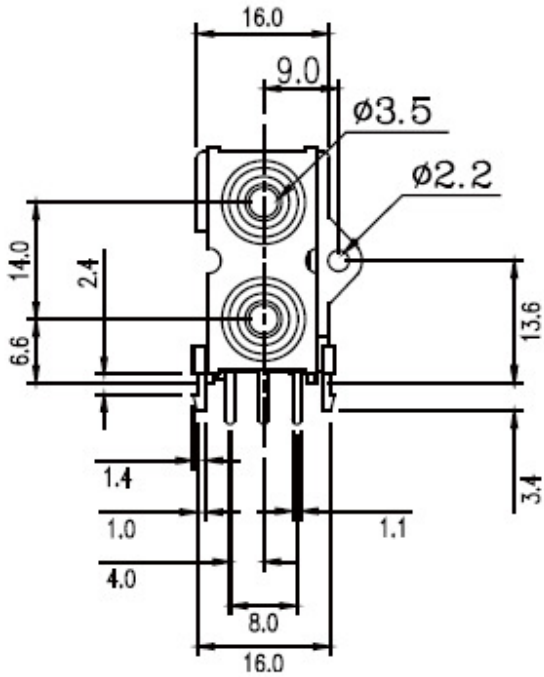
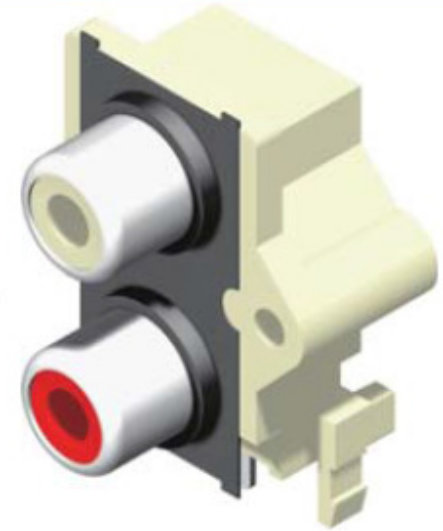


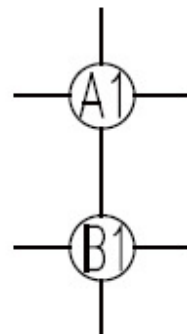
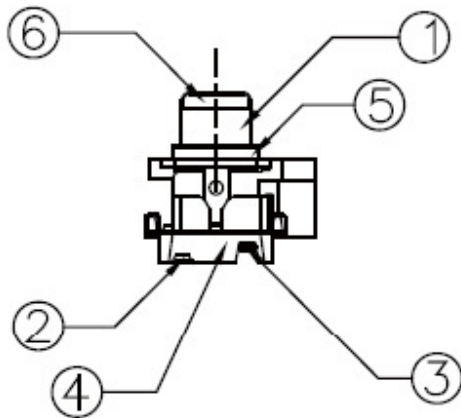
RCA Jack Conn.



Recommended PCB Layout
(PCB TOLERANCE ±0.05)



RCA-1416-2-L



INSERT RING COLOR

SCHEMATIC		RING COLOR	
TOP	1	A1	B1
	2	WHITE	RED
BOTTOM	1	A	RED
	3	B	YELLOW
	2	C	BLACK



NO.	NAME	MATERIAL	FINISH	Q'TY
1	BARREL	BRASS	NICKEL PLATED	2
2	TOP TERM.	BRASS	TIN PLATED	1
3	BOTTOM TERM.	BRASS	TIN PLATED	1
4	HOUSING	ABS	WHITE	1
5	TOP COVER	ABS	BLACK	1
6	RING	P.B.T	R,W,Y,B	1

