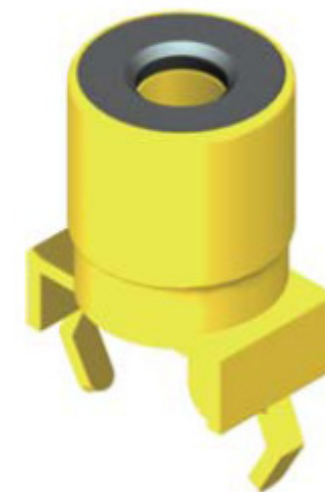
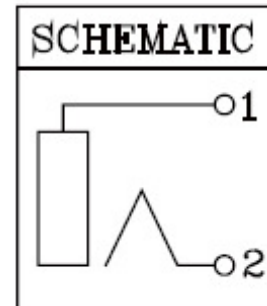
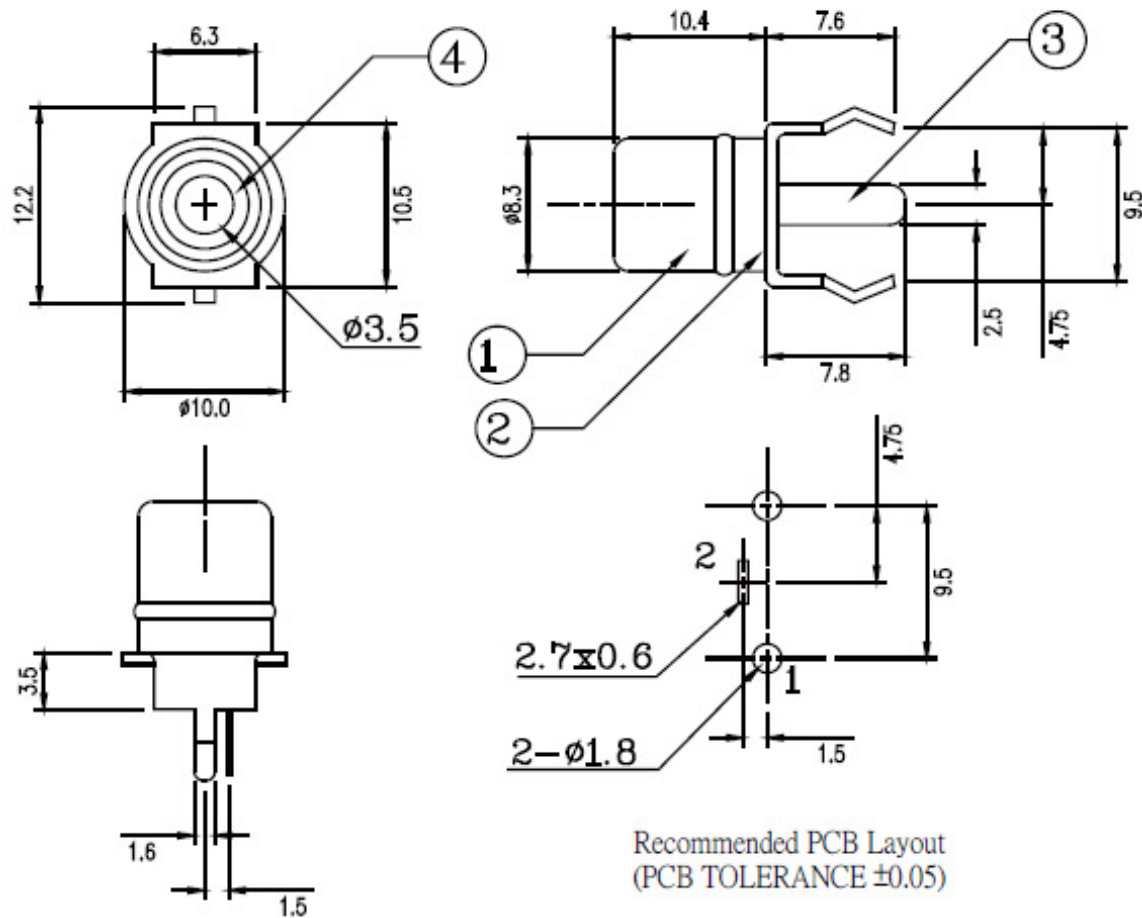


RCA Jack Conn.



RCA-0009GG-L

Recommended PCB Layout
(PCB TOLERANCE ± 0.05)

NO.	NAME	MATERIAL	FINISH
1	BARREL	C.R.S	GOLD PALTED
2	BRACKET	C.R.S	GOLD PLATED
3	CENTER PIN	BRASS	GOLD PLATED
4	INSULATOR	P.B.T	W, R, Y, B
5	INSERT RING	P.B.T	WHITE

TOPTEK
HWWARE ELECTRONIC COMPONENTS



www.toptek-co.com