

FEMALE HEADER 2.00mm

Female Header 2.0mm 2 Row H=4.0/4.3/4.6mm Straight Type With Bump

TOPTTEK[®]
HARDWARE ELECTRONIC COMPONENTS



RoHS
2002/95/EC

Specifications

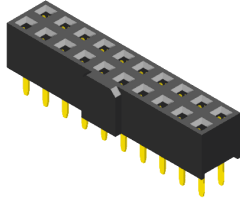
Current Rate: 2 AMP | Insulation Resistance: 1000MΩ | Min. Contact Resistance: 20mΩ |
Max.Dielectric Voltage: 500V AC for one minute | Operation Temperature:-40°C to +105°C

Material

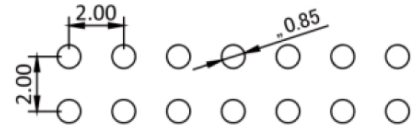
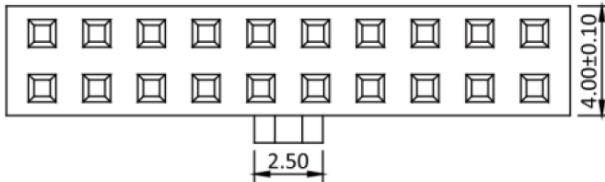
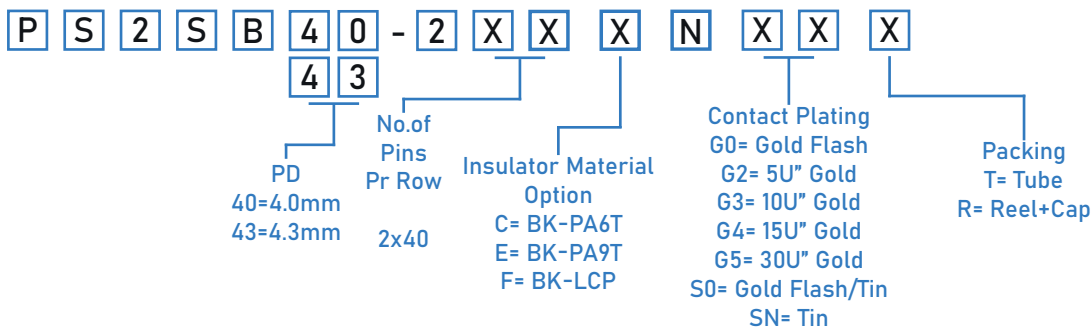
Insulator:Polyester, UL 94V-0 | Standard:PBT or nylon 6T | Terminal: Copper Alloy | Plating: Gold Plated



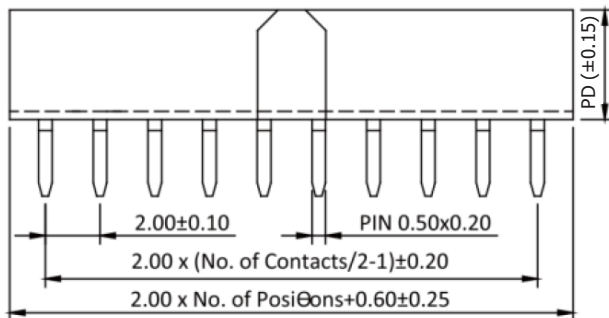
www.toptek-co.com



ORDER INFORMATION



Recommended PCB Layout
(PCB TOLERANCE ±0.05)



PD
4.00mm
4.30mm

