

FEMALE HEADER 2.00mm

Female Header 2.0mm 1 Row H=4.3 Bottom Close Straight Type

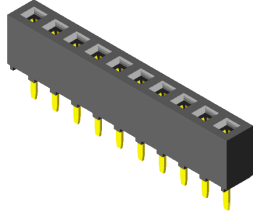


Specifications

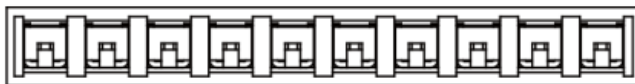
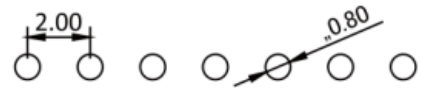
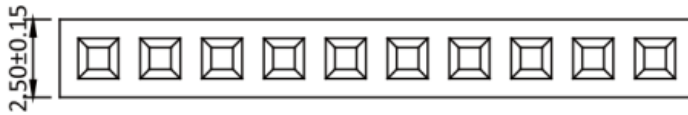
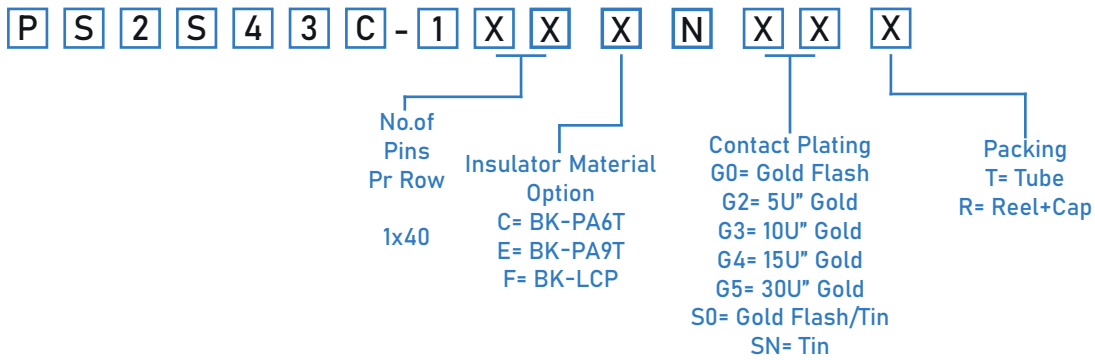
Current Rate: 2 AMP | Insulation Resistance: 1000MΩ | Min. Contact Resistance: 20mΩ |
 Max.Dielectric Voltage: 500V AC for one minute | Operation Temperature:-40°C to +105°C

Material

Insulator:Polyester, UL 94V-0 | Standard:PBT or nylon 6T | Terminal: Copper Alloy | Plating: Gold Plated



ORDER INFORMATION



Recommended PCB Layout
(PCB TOLERANCE ±0.05)

