

FEMALE HEADER 2.00mm

Female Header 2.0mm 2 Row Side Entry SMT Type

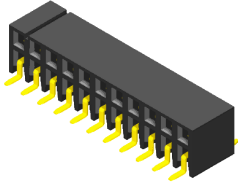


Specifications

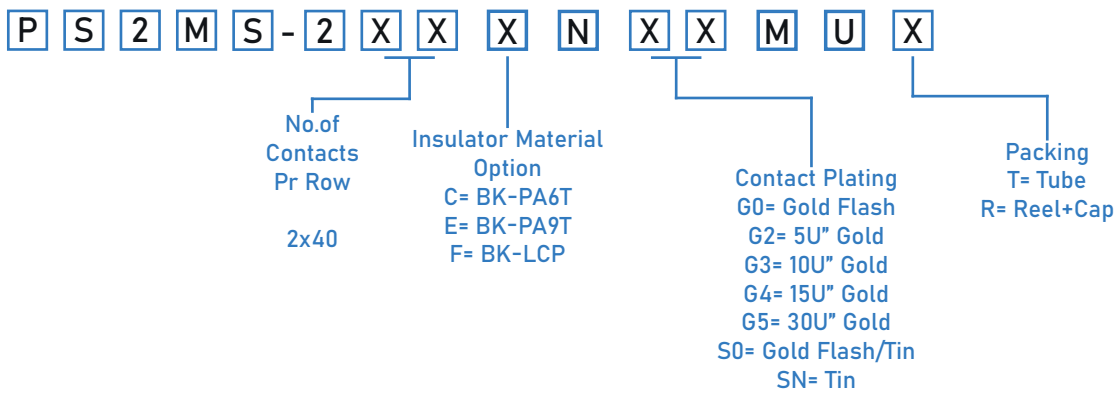
Current Rate: 2 AMP | Insulation Resistance: 1000MΩ | Min. Contact Resistance: 20mΩ |
 Max.Dielectric Voltage: 500V AC for one minute | Operation Temperature:-40°C to +105°C

Material

Insulator:Polyester, UL 94V-0 | Standard:PBT or nylon 6T | Terminal: Copper Alloy | Plating: Gold Plated



ORDER INFORMATION



Recommended P.C.B Layout(Top Side)
 (PCB BOARD TOLERANCE±0.05)

