

# FEMALE HEADER 2.00mm

Female Header 2.0mm 2 Row H=4.6 Kink Type

**TOPTTEK**<sup>®</sup>

HARDWARE ELECTRONIC COMPONENTS



www.toptek-co.com



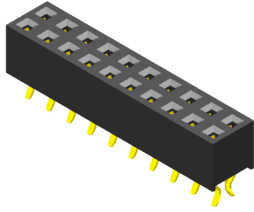
RoHS  
2002/95/EC

### Specifications

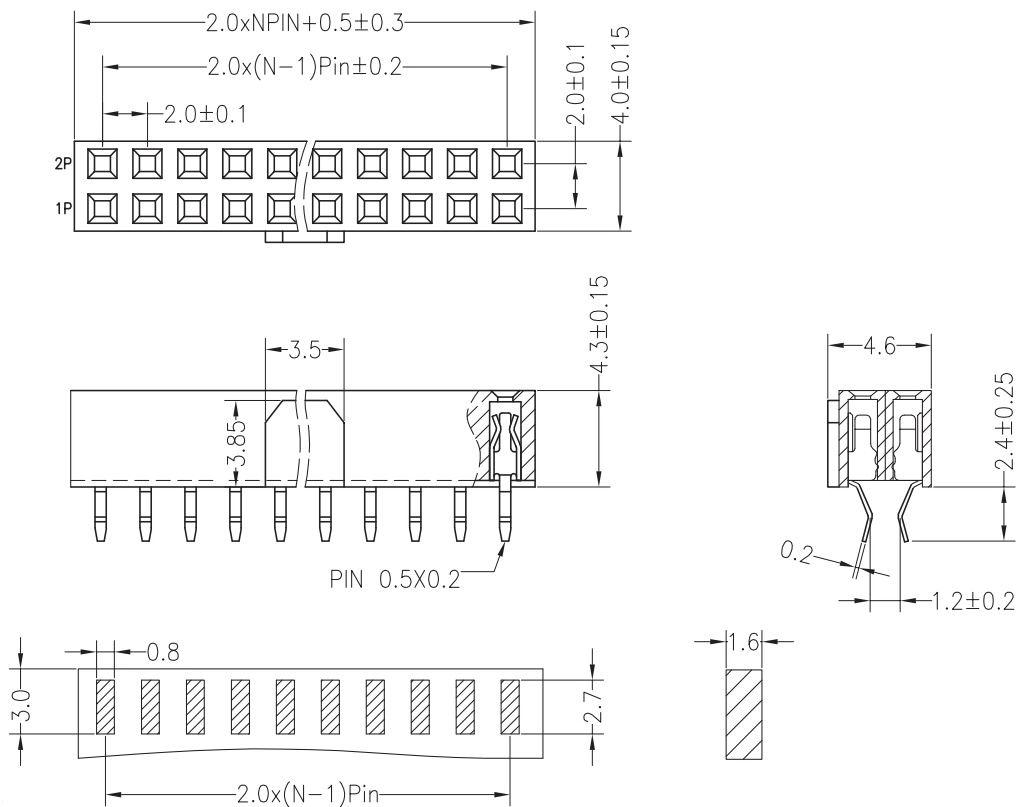
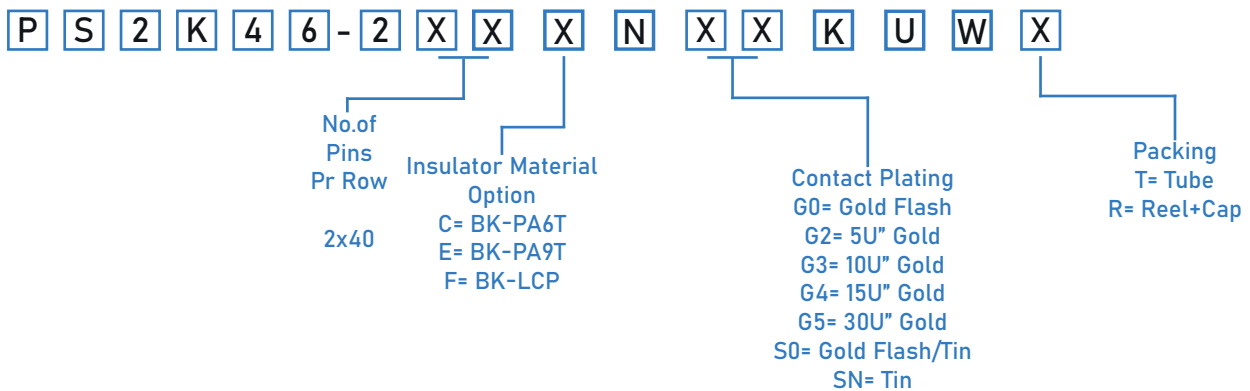
Current Rate: 2 AMP | Insulation Resistance: 1000MΩ | Min. Contact Resistance: 20mΩ |  
Max.Dielectric Voltage: 500V AC for one minute | Operation Temperature:-40°C to +105°C

### Material

Insulator:Polyester, UL 94V-0 | Standard:PBT or nylon 6T | Terminal: Copper Alloy | Plating: Gold Plated



## ORDER INFORMATION



Recommended P.C.B Layout(Top Side)  
(PCB BOARD TOLERANCE±0.05)