

# FEMALE HEADER 2.54mm

## Female Header 2.54mm 2 Row H=8.5mm Straight Type

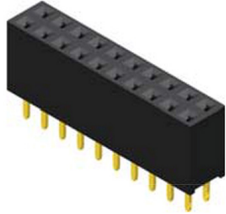


### Specifications

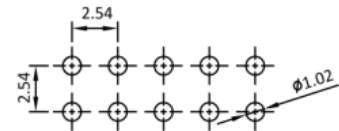
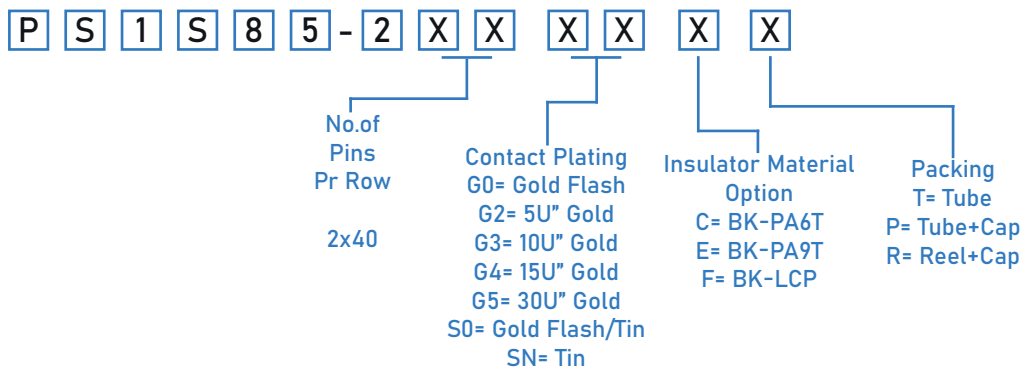
Current Rate: 3 AMP | Insulation Resistance: 1000MΩ | Min. Contact Resistance: 20mΩ |  
 Max. Dielectric Voltage: 1000V AC for one minute | Operation Temperature: -40°C to +105°C

### Material

Insulator: Polyester, UL 94V-0 | Standard: Nylon 6T | Terminal: Copper Alloy | Plating: Gold Plated



## ORDER INFORMATION



Recommended PCB Layout  
 (PCB TOLERANCE ±0.05)

