

FEMALE HEADER 2.54mm

Female Header 2.54mm 1 Row H=8.5mm Straight Type

TOPTTEK®
HARDWARE ELECTRONIC COMPONENTS



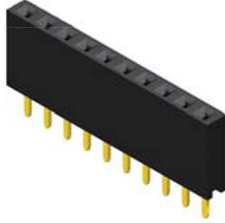
Specifications

Current Rate: 3 AMP | Insulation Resistance: 1000MΩ | Min. Contact Resistance: 20mΩ |
Max. Dielectric Voltage: 1000V AC for one minute | Operation Temperature: -40°C to +105°C

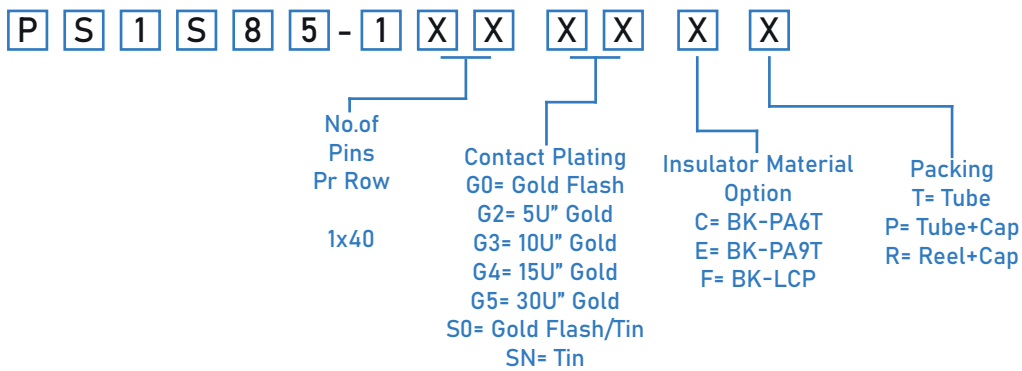
Material

Insulator: Polyester, UL 94V-0 | Standard: Nylon 6T | Terminal: Copper Alloy | Plating: Gold Plated

www.toptek-co.com



ORDER INFORMATION



Recommended PCB Layout
(PCB TOLERANCE ±0.05)

