

# FEMALE HEADER 2.54mm

Female Header 2.54mm 2 Row H=8.5mm SMT Right Angle Type

**TOPTTEK**<sup>®</sup>

HARDWARE ELECTRONIC COMPONENTS



www.toptek-co.com



RoHS 2002/95/EC

## Specifications

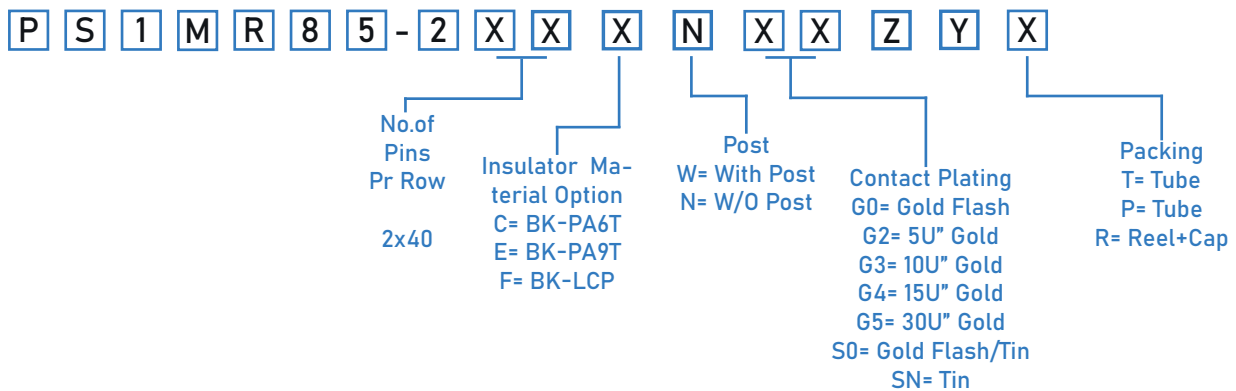
Current Rate: 3 AMP | Insulation Resistance: 1000MΩ | Min. Contact Resistance: 20mΩ |  
Max. Dielectric Voltage: 1000V AC for one minute | Operation Temperature: -40°C to +105°C

## Material

Insulator: Polyester, UL 94V-0 | Standard: Nylon 6T | Terminal: Copper Alloy | Plating: Gold Plated



## ORDER INFORMATION



## Recommended P.C.B Layout (Top S)

(PCB BOARD TOLERANCE ±0.05)

