

FEMALE HEADER 2.54mm

Female Header 2.54mm 2 Row H=4.5mm SMT Type

TOPTTEK[®]
HARDWARE ELECTRONIC COMPONENTS



RoHS
2002/95/EC

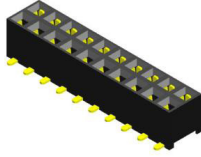
Specifications

Current Rate: 3 AMP | Insulation Resistance: 1000MΩ | Min. Contact Resistance: 20mΩ |
Max. Dielectric Voltage: 1000V AC for one minute | Operation Temperature: -40°C to +105°C

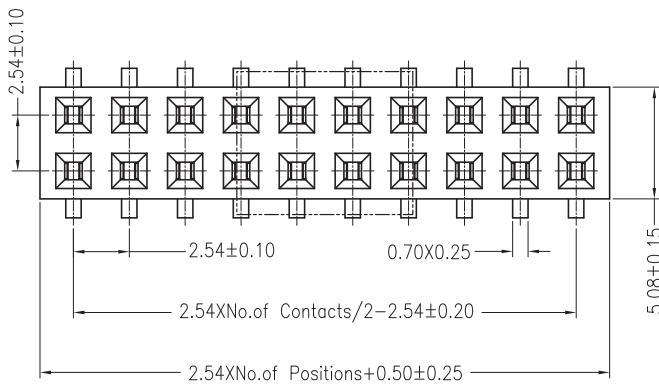
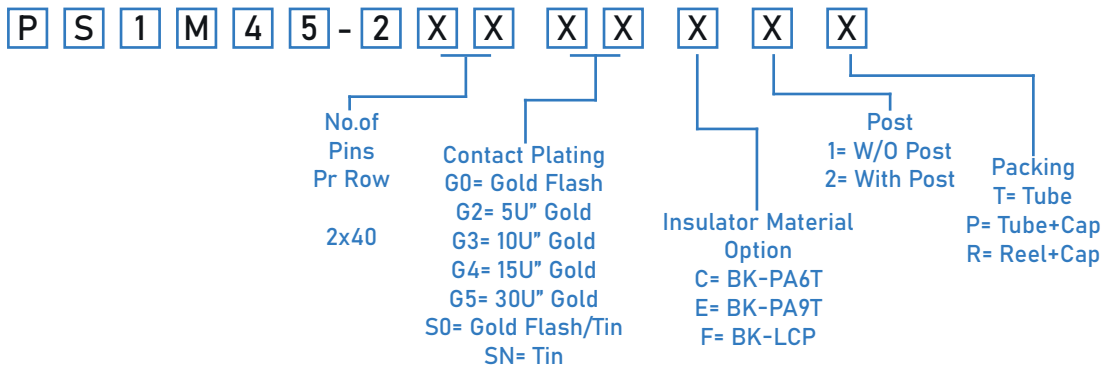
Material

Insulator: Polyester, UL 94V-0 | Standard: Nylon 6T | Terminal: Copper Alloy | Plating: Gold Plated

www.toptek-co.com



ORDER INFORMATION



Recommended P.C.B Layout (Top Side) (PCB BOARD TOLERANCE ±0.05)

