

FEMALE HEADER 2.54mm

Female Header 2.54mm 2 Row H=5.0mm Straddle Type With Bump

TOPTTEK®

HARDWARE ELECTRONIC COMPONENTS



www.toptek-co.com

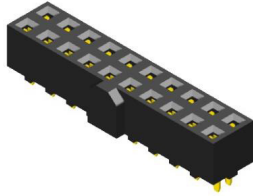


Specifications

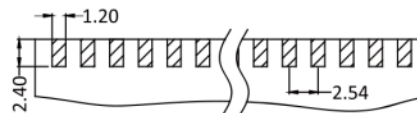
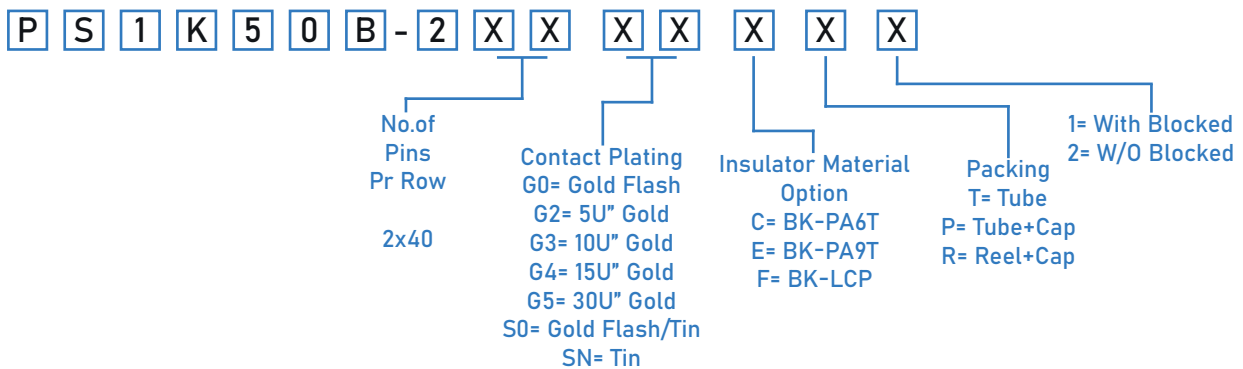
Current Rate: 3 AMP | Insulation Resistance: 1000MΩ | Min. Contact Resistance: 20mΩ |
Max. Dielectric Voltage: 1000V AC for one minute | Operation Temperature: -40°C to +105°C

Material

Insulator: Polyester, UL 94V-0 | Standard: Nylon 6T | Terminal: Copper Alloy | Plating: Gold Plated



ORDER INFORMATION



Recommended P.C.B Layout(TOP Side)
(PCB BOARD TOLERANCE±0.05)

