

FEMALE HEADER 2.54mm

Female Header 2.54mm 1 Row H=8.5mm Elevated Fit Type

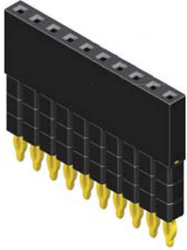


Specifications

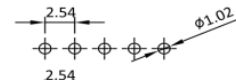
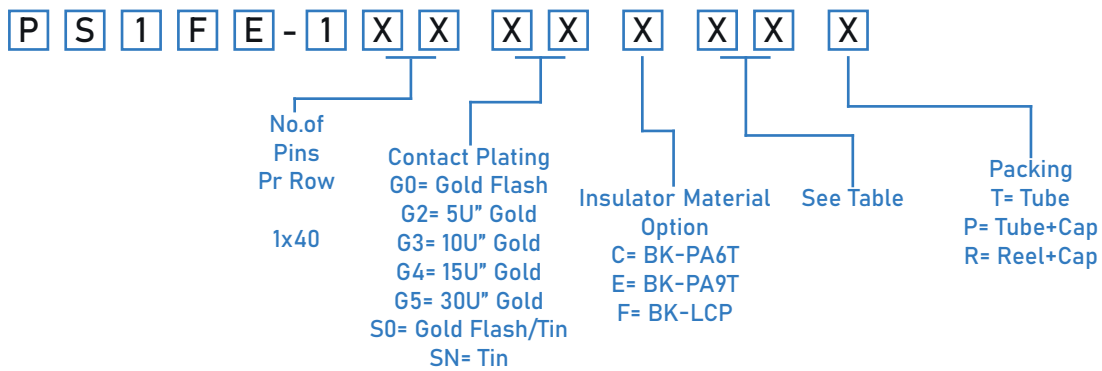
Current Rate: 3 AMP | Insulation Resistance: 1000MΩ | Min. Contact Resistance: 20mΩ |
 Max. Dielectric Voltage: 1000V AC for one minute | Operation Temperature: -40°C to +105°C

Material

Insulator: Polyester, UL 94V-0 | Standard: Nylon 6T | Terminal: Copper Alloy | Plating: Gold Plated



ORDER INFORMATION



Recommended PCB Layout
 (PCB TOLERANCE ±0.05)

	Dim. A	Dim. B
1A	11.05	3.20
2A	13.59	3.20
3A	16.13	3.20
4A	18.67	3.20

