

# FEMALE HEADER 2.54mm

## Female Header 2.54mm 1 Row H=8.5mm Stripped Type

**TOPTTEK®**  
HARDWARE ELECTRONIC COMPONENTS



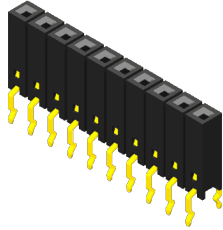
### Specifications

Current Rate: 3 AMP | Insulation Resistance: 1000MΩ | Min. Contact Resistance: 20mΩ |  
Max. Dielectric Voltage: 1000V AC for one minute | Operation Temperature: -40°C to +105°C

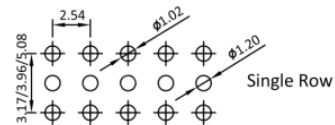
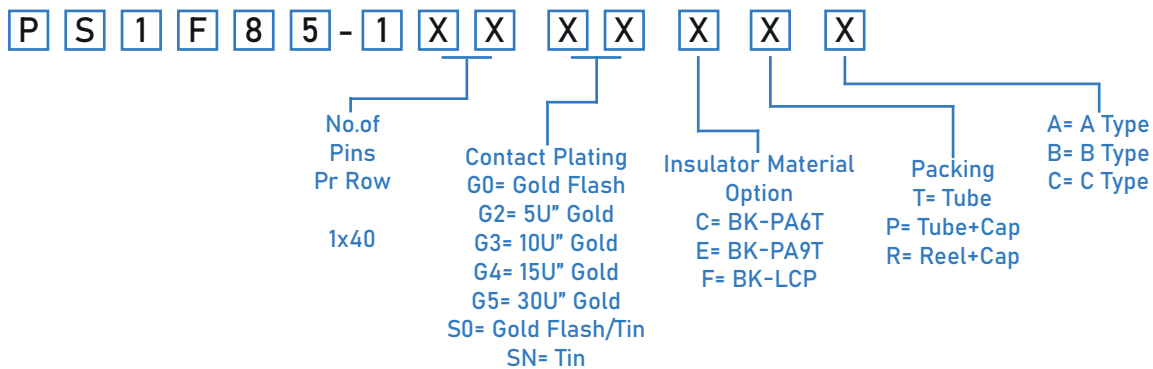
### Material

Insulator: Polyester, UL 94V-0 | Standard: Nylon 6T | Terminal: Copper Alloy | Plating: Gold Plated

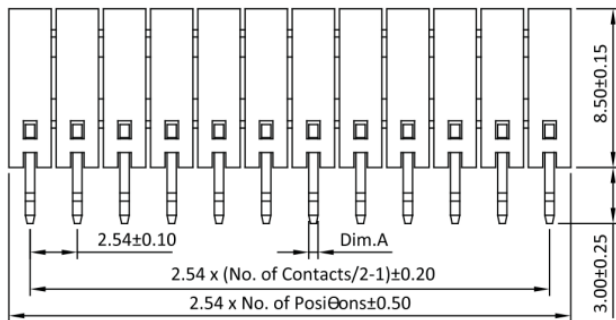
www.toptek-co.com



## ORDER INFORMATION



Recommended PCB Layout  
(PCB TOLERANCE ±0.05)



Row	Dim.A
Single	0.50x0.25

