

PIN HEADER 1.27mm

Pin Header 1.27mm 2 Row H=0.85/1.0/1.5/1.6/1.7/2.0/2.5mm Straight Type

TOPTTEK®
HARDWARE ELECTRONIC COMPONENTS



www.toptek-co.com

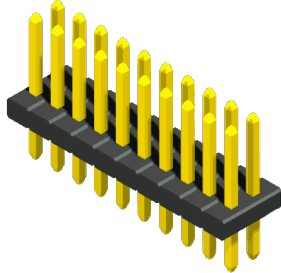


Specifications

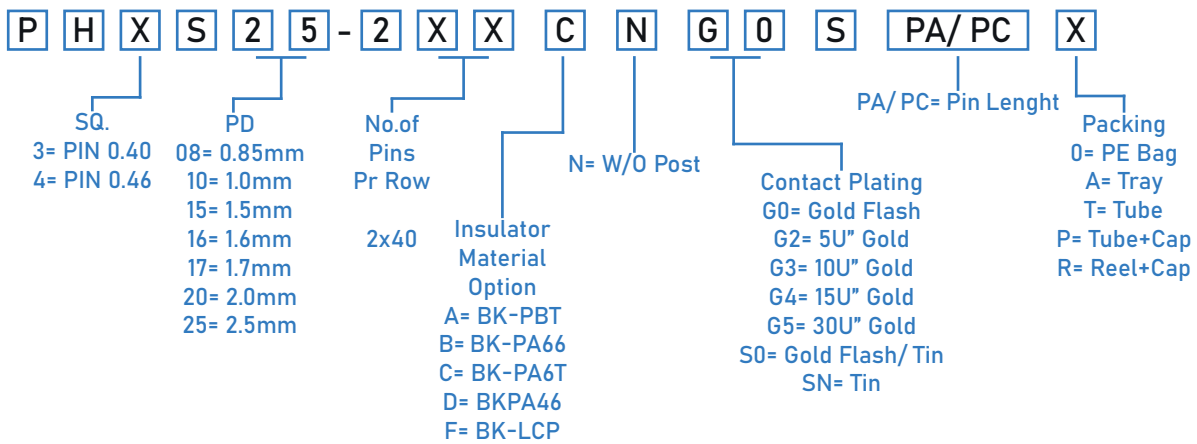
Current Rate: 1 AMP | Insulation Resistance: 1000MΩ | Max. Contact Resistance: 20mΩ |
Max. Dielectric Voltage: 500V AC for one minute | Operation Temperature: -40°C to +105°C

Material

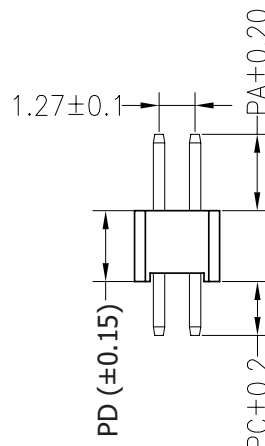
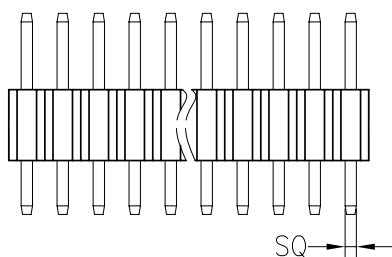
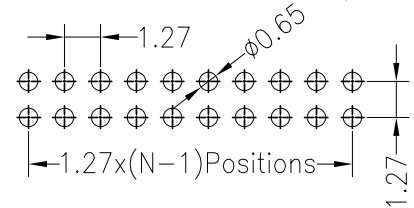
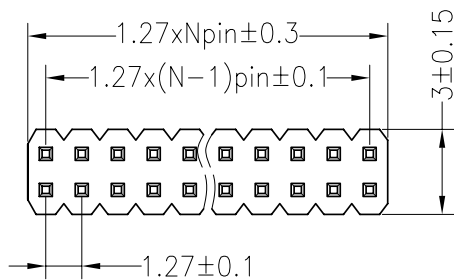
Insulator: Polyester, UL 94V-0 | Standard: Nylon 6T | Terminal: Copper Alloy | Plating: Gold Plated



ORDER INFORMATION



Recommended P.C.B Layout (Top Side)
(PCB BOARD TOLERANCE ±0.05)



PD
0.85mm
1.00mm
1.50mm
1.60mm
1.70mm
2.00mm
2.50mm

ITEM	PA	PC
Standard	4.00	2.80
Alternate		