

PIN HEADER 2.0mm

Pin Header 2.54mm 1 Row H=1.5/2.0mm Stack Straight Type

TOPTTEK®

HARDWARE ELECTRONIC COMPONENTS



RoHS 2002/95/EC

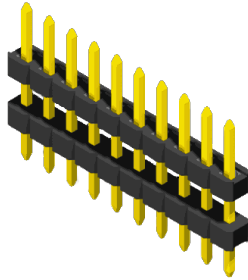
Specifications

Current Rate: 2 AMP | Insulation Resistance: 1000MΩ | Min. Contact Resistance: 20mΩ | Max. Dielectric Voltage: 500V AC for one minute | Operation Temperature: -40°C to +105°C

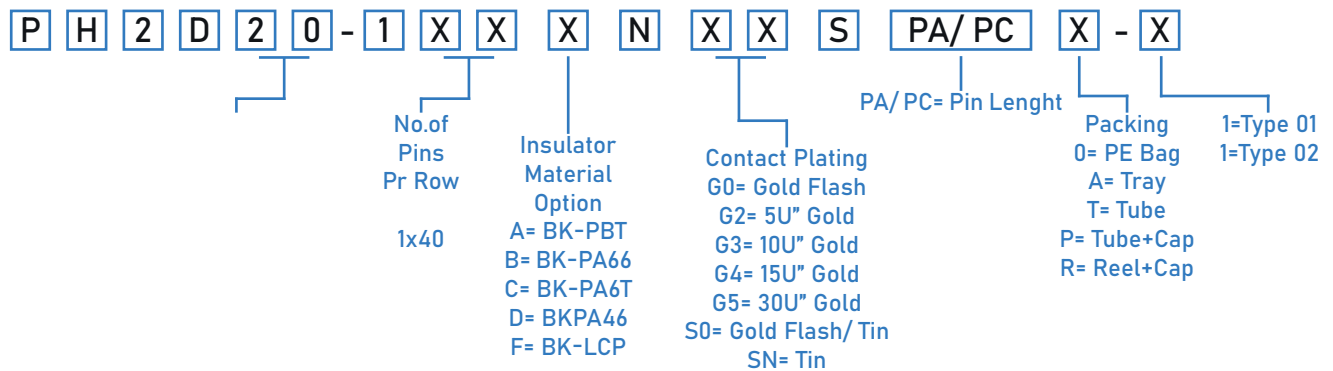
Material

Insulator: Polyester, UL 94V-0 | Standard: Nylon 6T | Terminal: Copper Alloy | Plating: Gold Plated

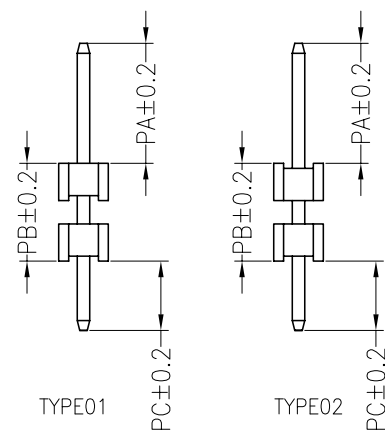
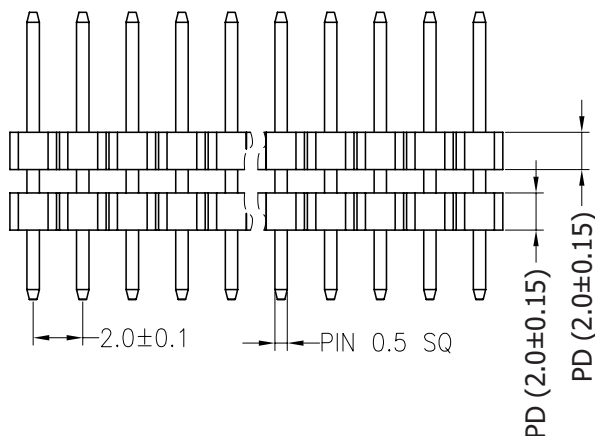
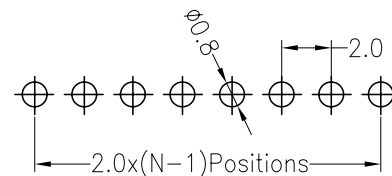
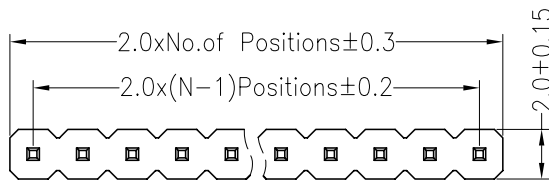
www.toptek-co.com



ORDER INFORMATION



Recommended P.C.B Layout (Top Side)
(PCB BOARD TOLERANCE ±0.05)



PD
1.50mm
2.00mm

ITEM	PA	PC
Standard	4.00	2.80
Alternate		