

# PIN HEADER 2.54

## Pin Header 2.54mm 1 Row H=2.5mm SMT R/A Type

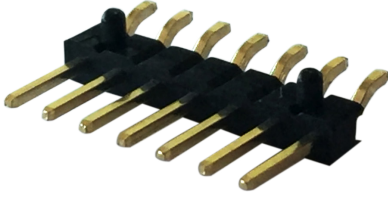


### Specifications

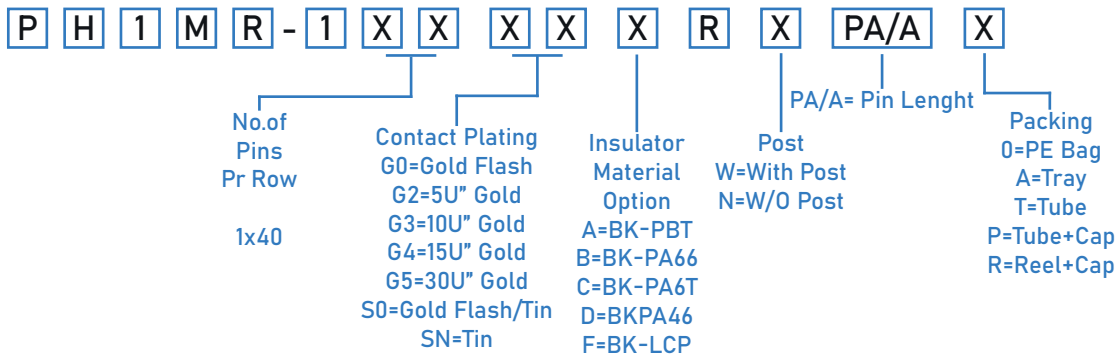
Current Rate: 3 AMP | Insulation Resistance: 1000MΩ | Min. Contact Resistance: 20mΩ |  
 Max. Dielectric Voltage: 1000V AC for one minute | Operation Temperature: -40°C to +105°C

### Material

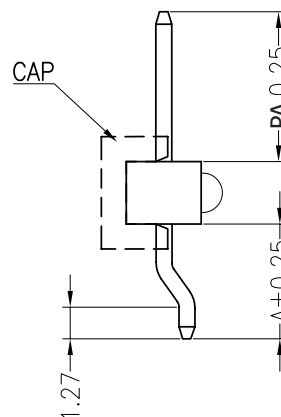
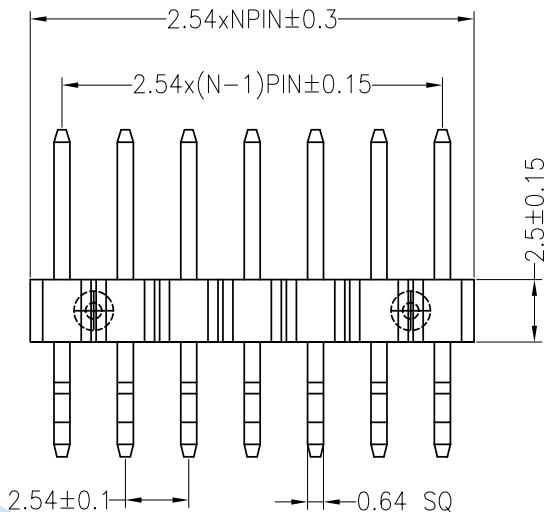
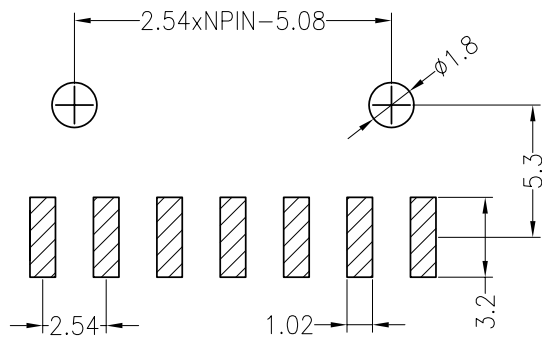
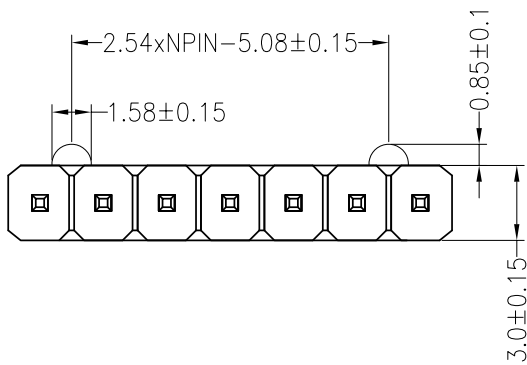
Insulator: Hi-Temp. Thermoplastic, UL 94V-0 | Terminal: Copper Alloy | Plating: Gold Plated



## ORDER INFORMATION



### Recommended P.C.B Layout (Top Side) (PCB BOARD TOLERANCE ±0.05)



ITEM	PA	A
Standard	6.00	XX
Alternate		

# PIN HEADER 2.54

## Pin Header 2.54mm 1 Row H=2.5mm SMT R/A Type

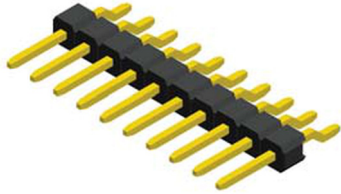


### Specifications

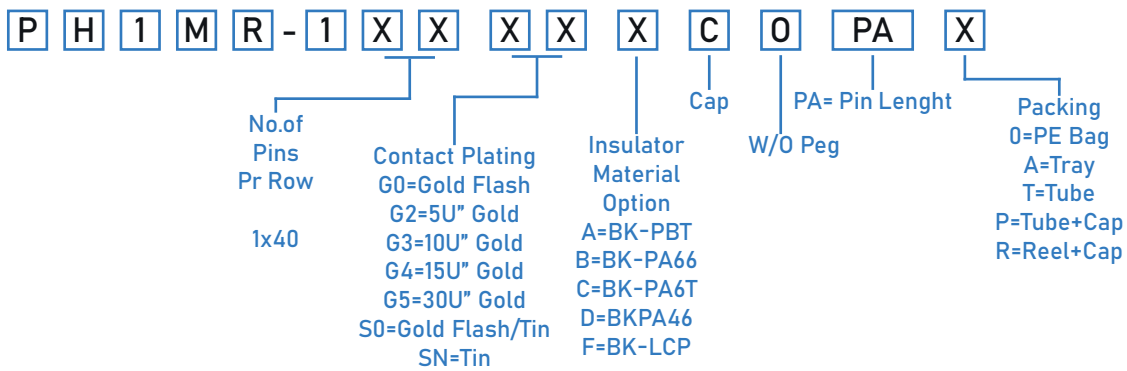
Current Rate: 3 AMP | Insulation Resistance: 1000MΩ | Min. Contact Resistance: 20mΩ | Max. Dielectric Voltage: 1000V AC for one minute | Operation Temperature: -40°C to +105°C

### Material

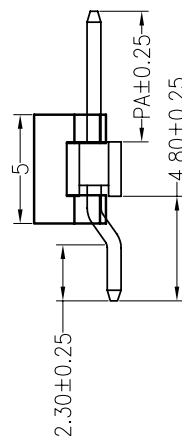
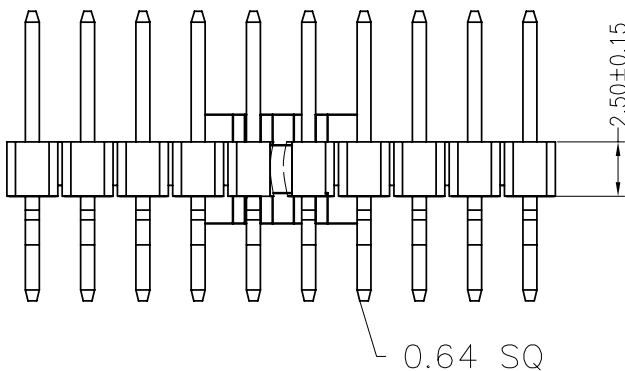
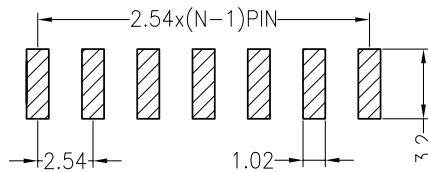
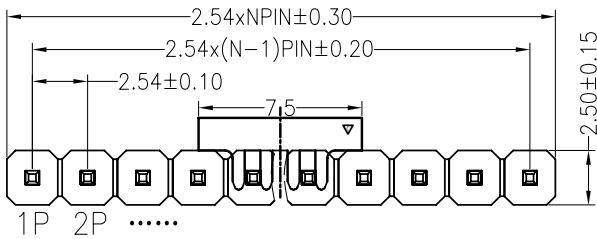
Insulator: Hi-Temp. Thermoplastic, UL 94V-0 | Terminal: Copper Alloy | Plating: Gold Plated



## ORDER INFORMATION



Recommended P.C.B Layout (Top Side)  
(PCB BOARD TOLERANCE ±0.05)



ITEM	PA	A
Standard	6.00	XX
Alternate		