

# PIN HEADER 2.54

Pin Header 2.54mm 1 Row H=2.5mm Press Fit Type

**TOPTTEK®**

HARDWARE ELECTRONIC COMPONENTS



www.toptek-co.com



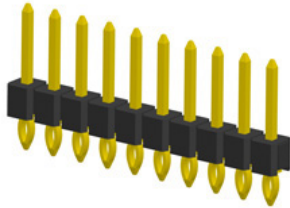
RoHS 2002/95/EC

## Specifications

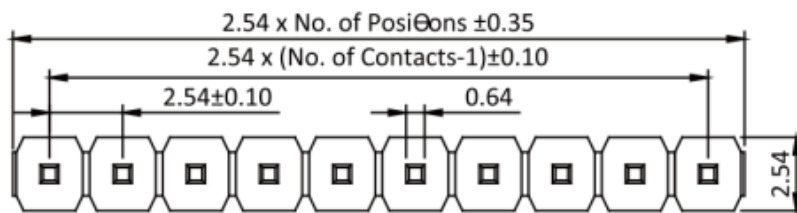
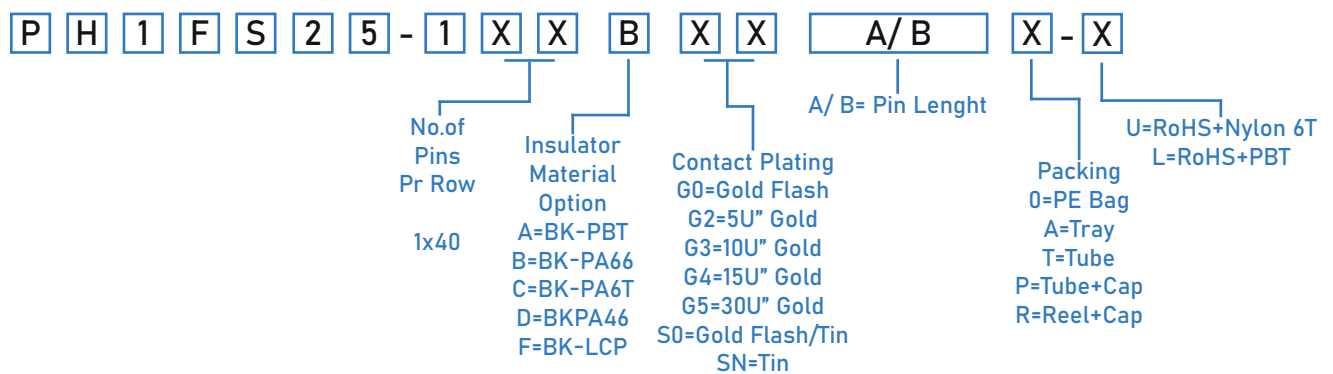
Current Rate: 3 AMP | Insulation Resistance: 1000MΩ | Min. Contact Resistance: 20mΩ | Max. Dielectric Voltage: 1000V AC for one minute | Operation Temperature: -40°C to +105°C

## Material

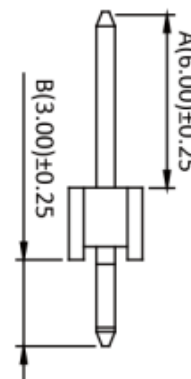
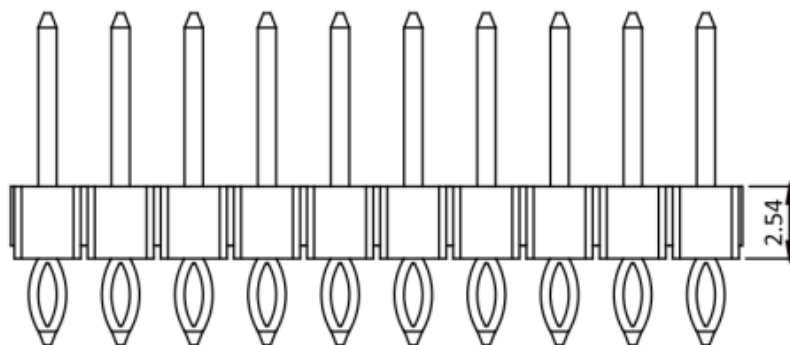
Insulator: Hi-Temp. Thermoplastic, UL 94V-0 | Terminal: Copper Alloy | Plating: Gold Plated



## ORDER INFORMATION



Recommended PCB Layout  
 (PCB TOLERANCE ±0.05)



ITEM	A	B
Standard	6.00	3.00
Alternate		