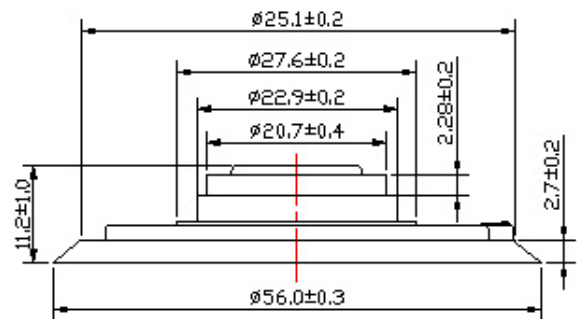
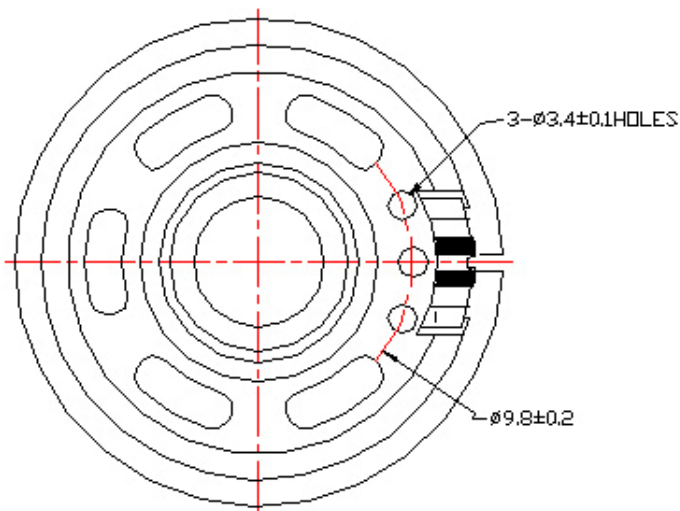
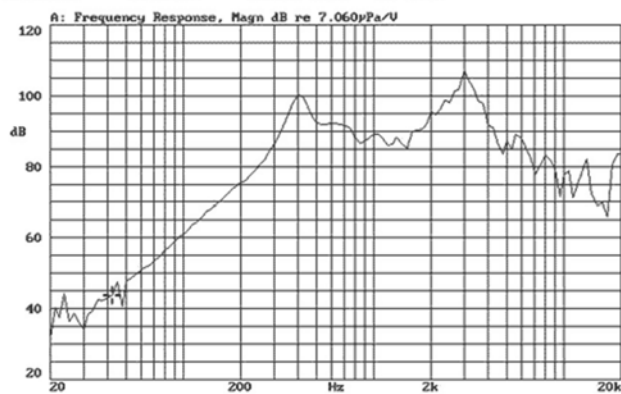


MODEL NO.:P57W-A

size:57*10mm
 magnet:21mm
 RMS:0.5W
 max power:1.0W



X:42.500Hz *Y:43.904dB* Z#:Live Curve SSR Fund.



| | | |
|----|---------------------|------------|
| . | Model No. | P57W-A |
| 2 | Cone Material: | Paper |
| 3 | Edge: | |
| 4 | Nominal Power: | 0.5w |
| 5 | Maximum Power: | 1.0w |
| 6 | Impedance: | ohm±15%Ω |
| 7 | Voice coil: | |
| 8 | Fo: | 400hz |
| 9 | Response: | Fo-20kHz |
| 10 | S.P.L: | 86±3dB/W/M |
| 11 | Magnet Size: Ferrit | 21mm |
