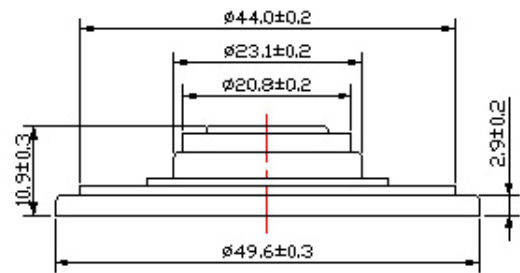
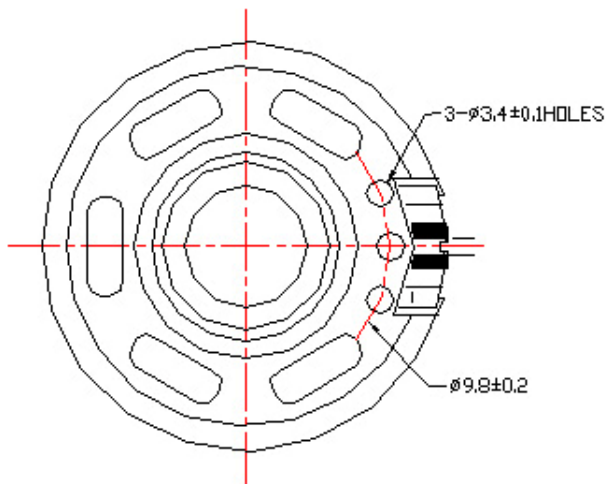


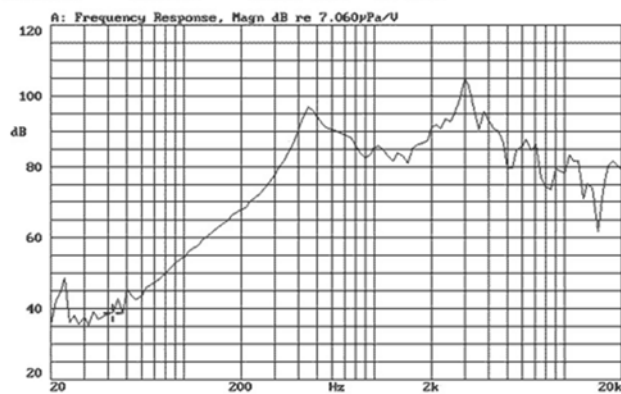
Model No.:P50W-B

size:50*10.5mm

magnet:21mm
 RMS:0.5W
 max power:1.0W
 S.P.L:86±3dB



X:42.500Hz *Y:38.94dB* ZA:Live Curve SSR Fund.



| | | |
|----|---------------------|------------|
| . | Model No. | P50W-B |
| 2 | Cone Material: | Paper |
| 3 | Edge: | |
| 4 | Nominal Power: | 0.5w |
| 5 | Maximum Power: | 1.0w |
| 6 | Impedance: | ohm±15%Ω |
| 7 | Voice coil: | |
| 8 | Fo: | 440hz |
| 9 | Response: | Fo-20kHz |
| 10 | S.P.L: | 86±3dB/W/M |
| 11 | Magnet Size: Ferrit | 21mm |
