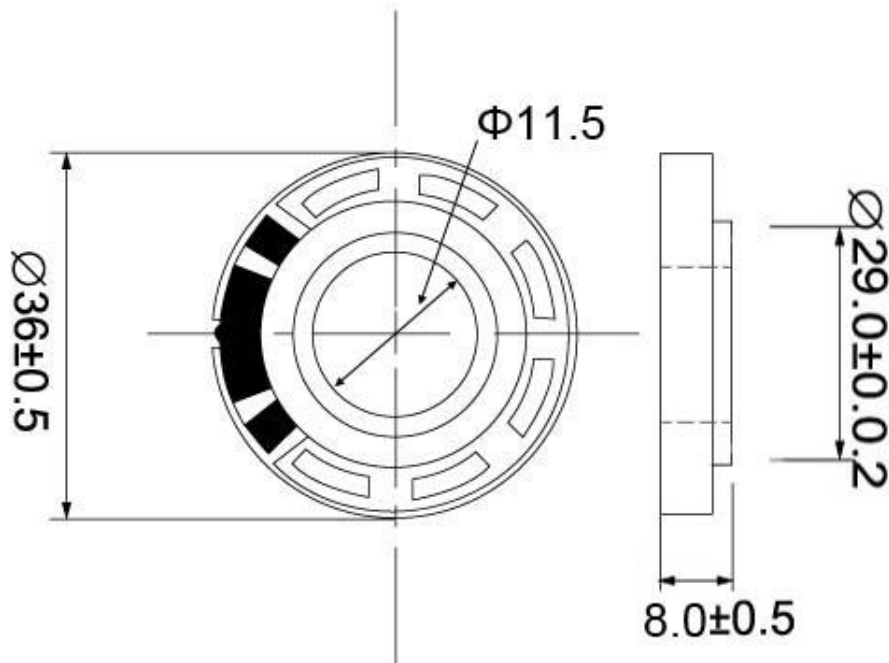
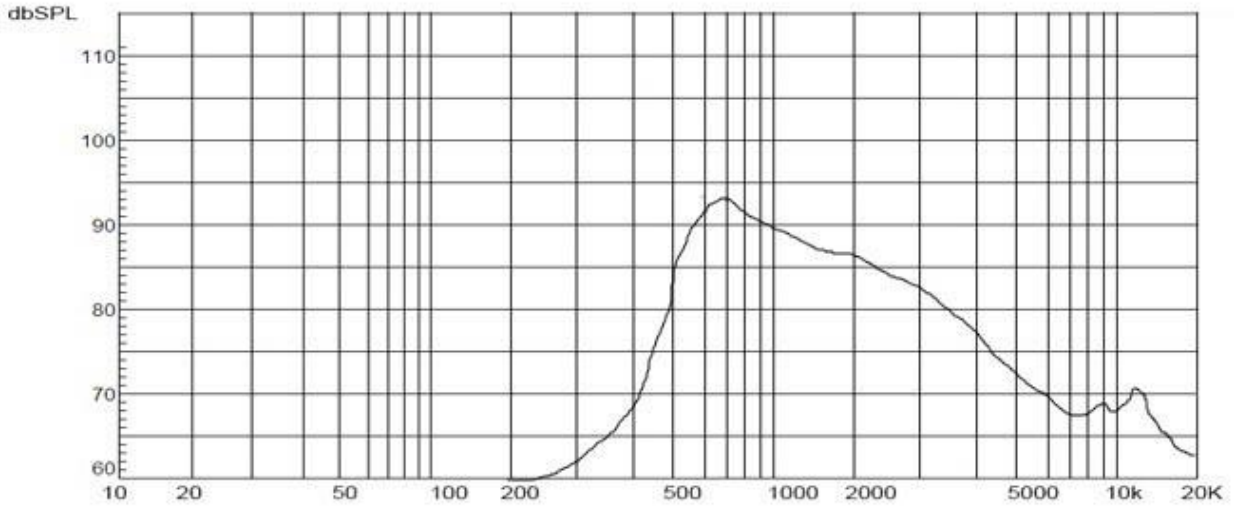


Model No.:P36W-B
Size:36*8.0mm
Nominal Power : 0.5W
Maximum Power : 1.0W
Impedance:ohm±15%Ω
S.P.L:91±3dB





.	Model No.	P36W-B
2	Cone Material:	Mylar
3	Edge:	
4	Nominal Power:	0.5w
5	Maximum Power:	1.0w
6	Impedance:	ohm±15%Ω
7	Voice coil:	
8	Fo:	550hz
9	Response:	Fo-20kHz
10	S.P.L.:	91±3dB/W/M
11	Magnet Size:	NdFeB
