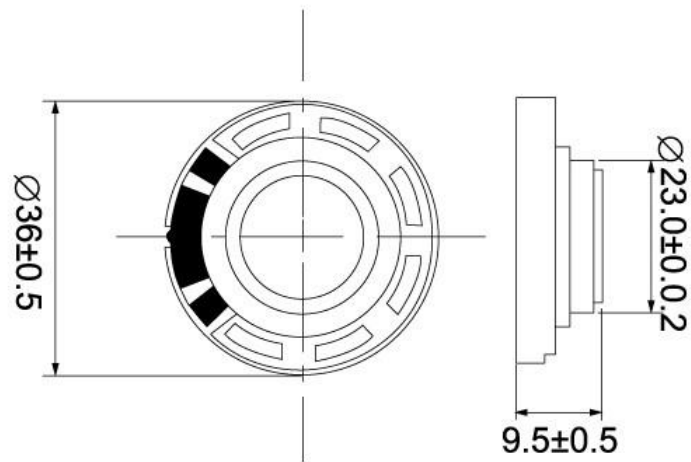
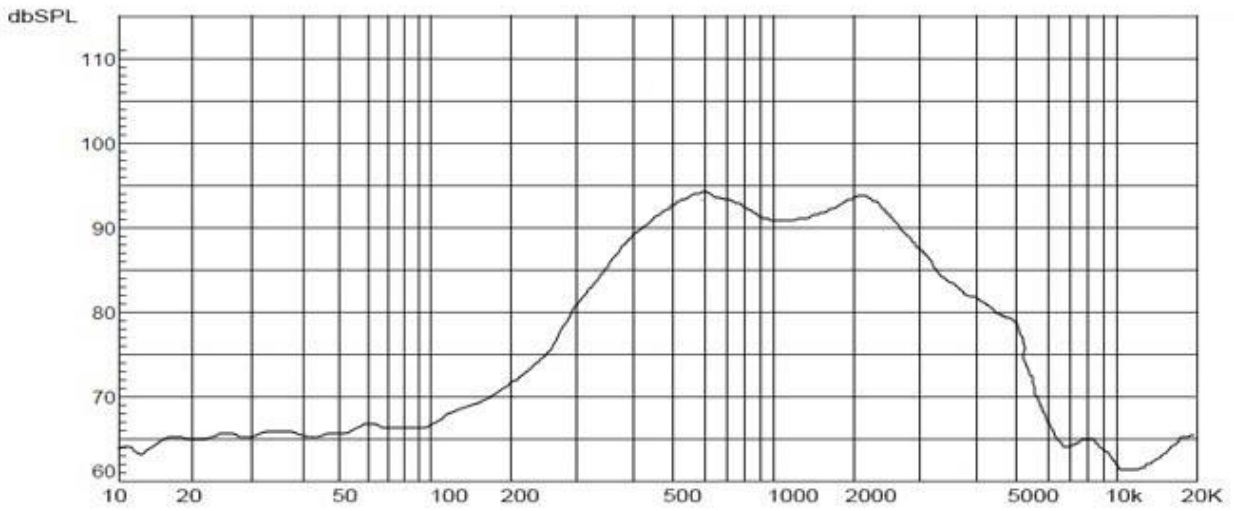


Model No.:P36W-A

size:36\*9.5mm  
magnet:21mm  
RMS:0.3W  
max power:0.8W  
S.P.L: 88±3dB





1	Model No.	P36W-A
2	Cone Material:	Mylar
3	Edge:	
4	Nominal Power:	0.4w
5	Maximum Power:	0.8w
6	Impedance:	ohm±15%Ω
7	Voice coil:	
8	Fo:	550hz
9	Response:	Fo-20kHz
10	S.P.L:	88±3dB/W/M
11	Magnet Size:	Ferrit