



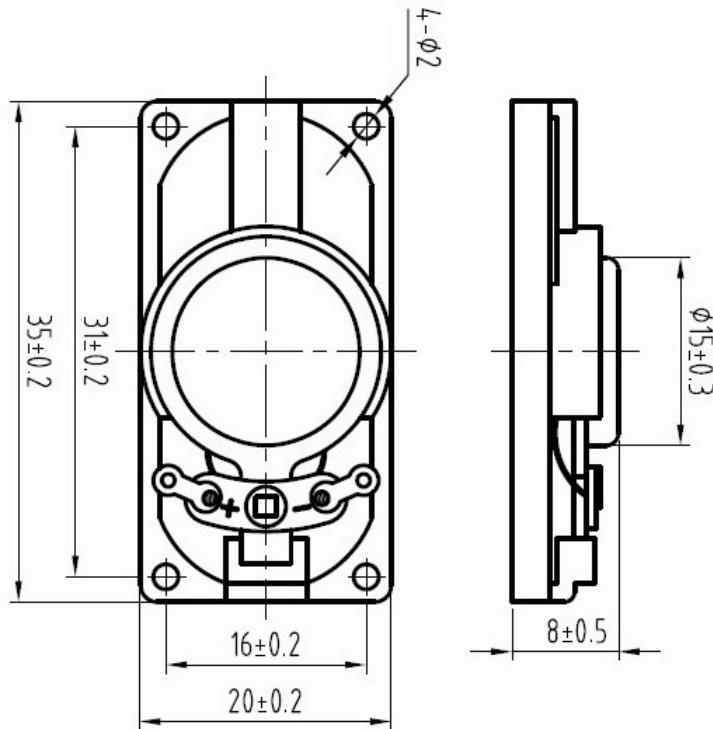
Model No.: P3520N-A
Size: 35*20*8.0mm

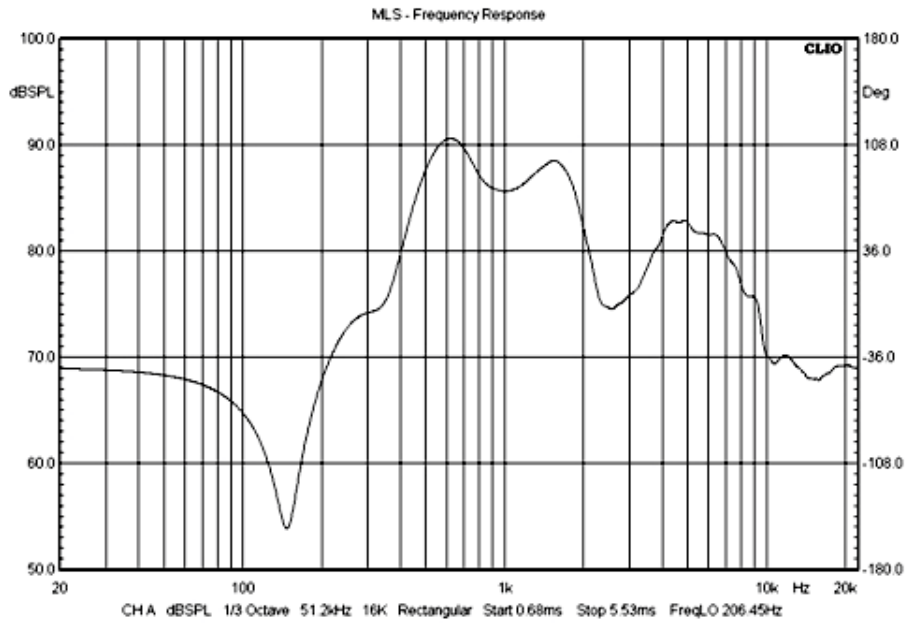
Nominal Power: 1.0w

Maximum power: 2.0w

Impedance: ohm±15%Ω

S.P.L: 86±3dB





1	Model No.	P3520N-A
2	Cone Material:	Cloth
3	Edge:	Cloth
4	Nominal Power:	1.0w
5	Maximum Power:	2.0w
6	Impedance:	ohm±15%Ω
7	Voice coil:	
8	Fo:	600hz
9	Response:	Fo-20kHz
10	S.P.L:	86±3dB/W/M
11	Magnet Size: NdFeB	11.0*2.0