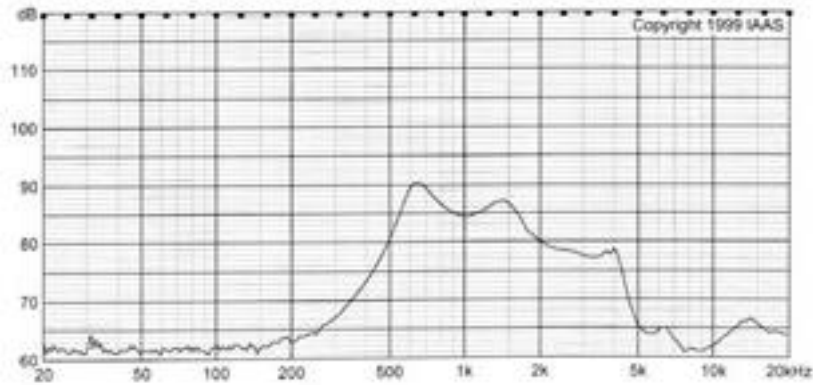
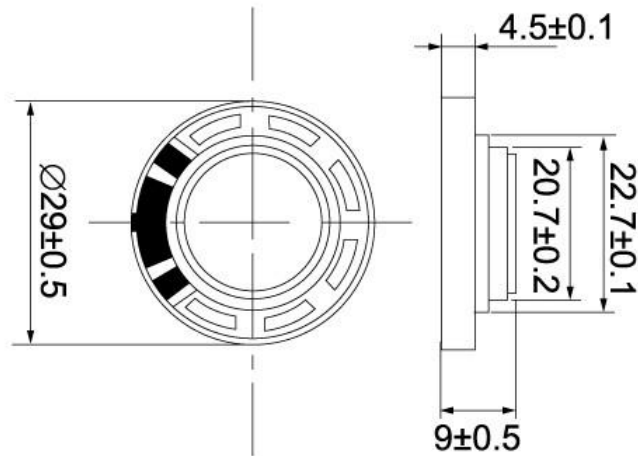


Model No.:P29W-C

size:29*9.0mm
 magnet:22.7mm
 RMS:0.25W
 max power:0.5W
 S.P.L: 93±3dB



.	Model No.	P29W-C
2	Cone Material:	Mylay
3	Edge:	
4	Nominal Power:	0.25w
5	Maximum Power:	0.5w
6	Impedance:	ohm±15%Ω
7	Voice coil:	
8	Fo:	600hz
9	Response:	Fo-6kHz
10	S.P.L:	93±3dB/W/M
11	Magnet Size:	Ferrit
