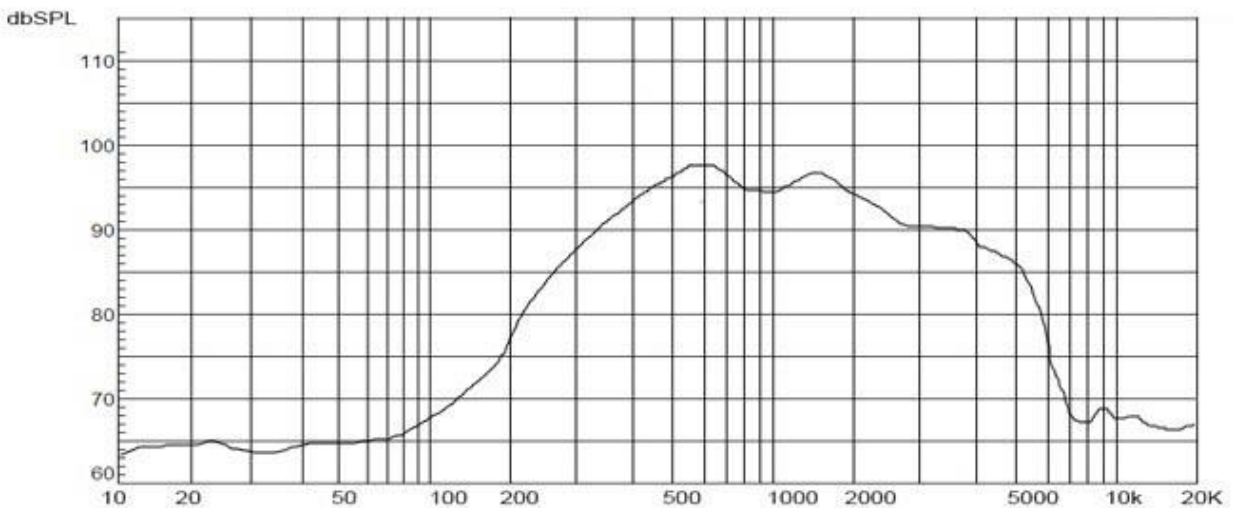
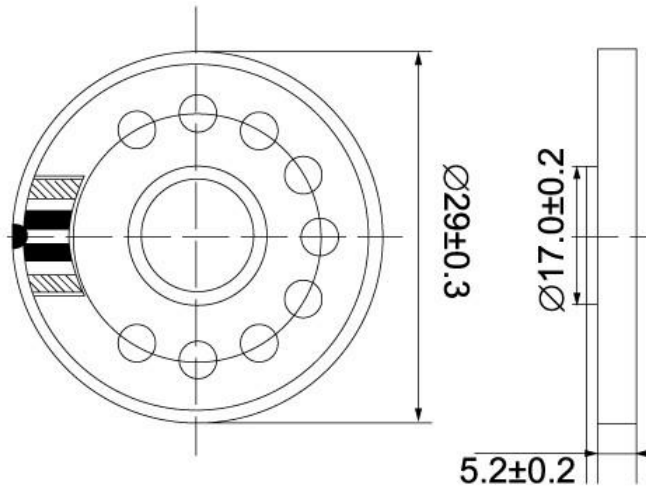


Model NO.:P29N-A
 Nominal Power : 0.25W
 Maximum Power : 0.5W
 Impedance:ohm±15%Ω
 S.P.L:93±3dB



.	Model No.	P29N-A
2	Cone Material:	Mylay
3	Edge:	
4	Nominal Power:	0.25w
5	Maximum Power:	0.5w
6	Impedance:	ohm±15%Ω
7	Voice coil:	
8	Fo:	600hz
9	Response:	Fo-6kHz
10	S.P.L:	93±3dB/W/M
11	Magnet Size:	NdFeB
