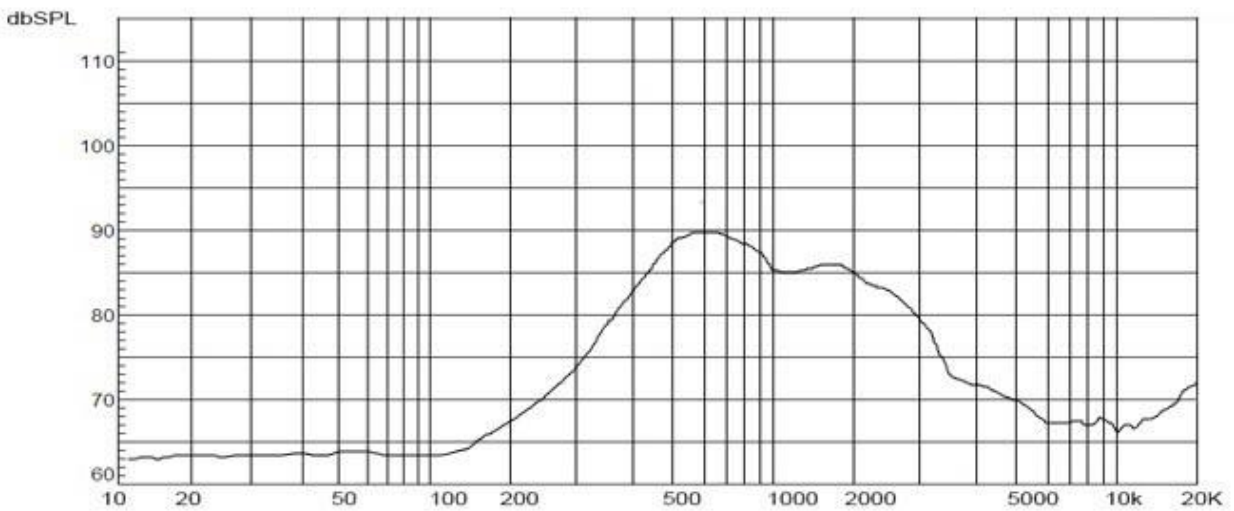
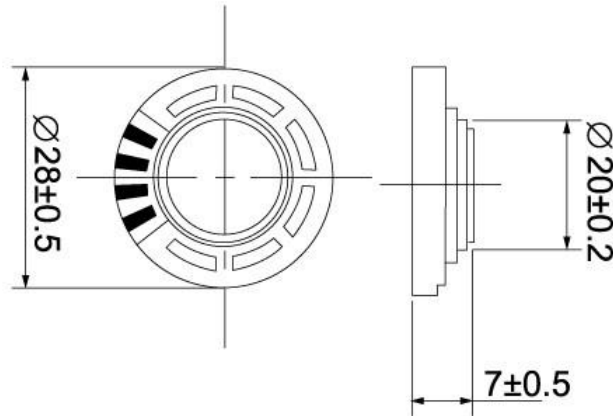


Model No.:P28W-01
Nominal Power : 0.5W
Maximum Power : 1.0W
Impedance:ohm±15%Ω
S.P.L:92±3dB



.	Model No.	P28W-01
2	Cone Material:	Mylay
3	Edge:	
4	Nominal Power:	0.5w
5	Maximum Power:	1.0w
6	Impedance:	ohm±15%Ω
7	Voice coil:	
8	Fo:	550hz
9	Response:	Fo-6kHz
10	S.P.L:	92±3dB/W/M
11	Magnet Size:	
