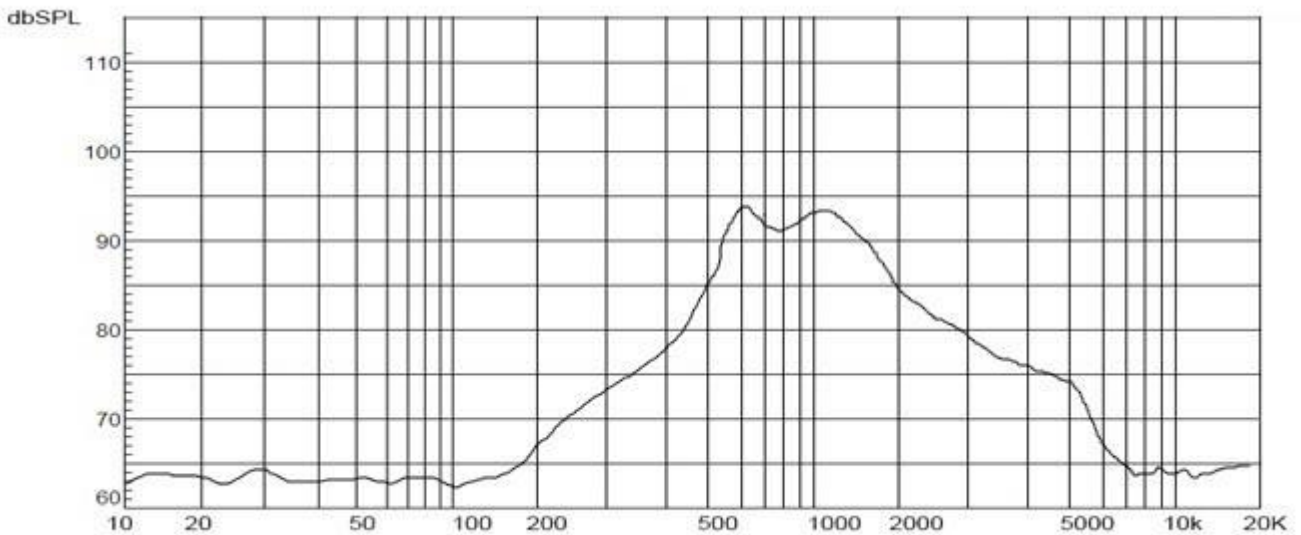
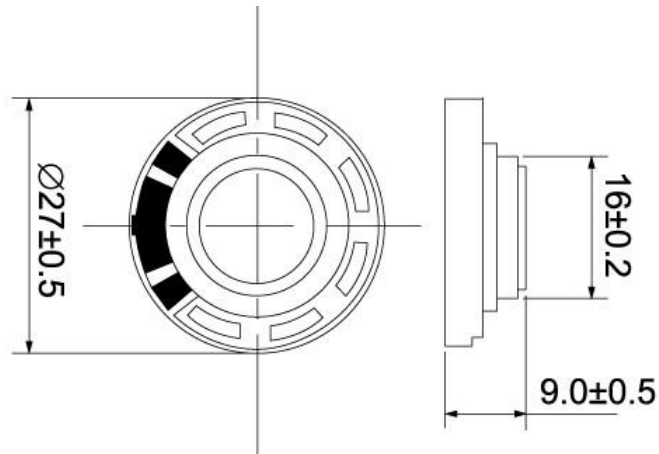


Model No.:P27W-A

size:27\*9.0mm  
magnet:16mm  
RMS:0.25W  
max power:0.5W  
S.P.L 88±3dB



---

.	Model No.	P27W-A
2	Diaphragm	
3	Frame	
4	Nominal Power:	
5	Maximum Power:	0.25W
6	Impedance:	0.5W
7	Voice coil:	
8	Fo:	600 HZ
9	Response:	Fo-20kHz
10	S.P.L	88±3dB/0.1W/0.1
11	Magnet Size:	Ferrit

---