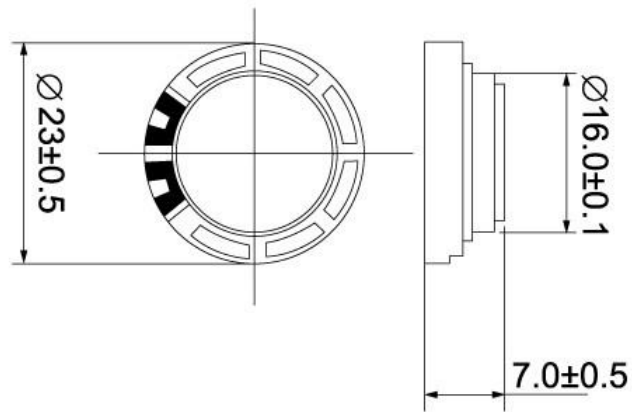
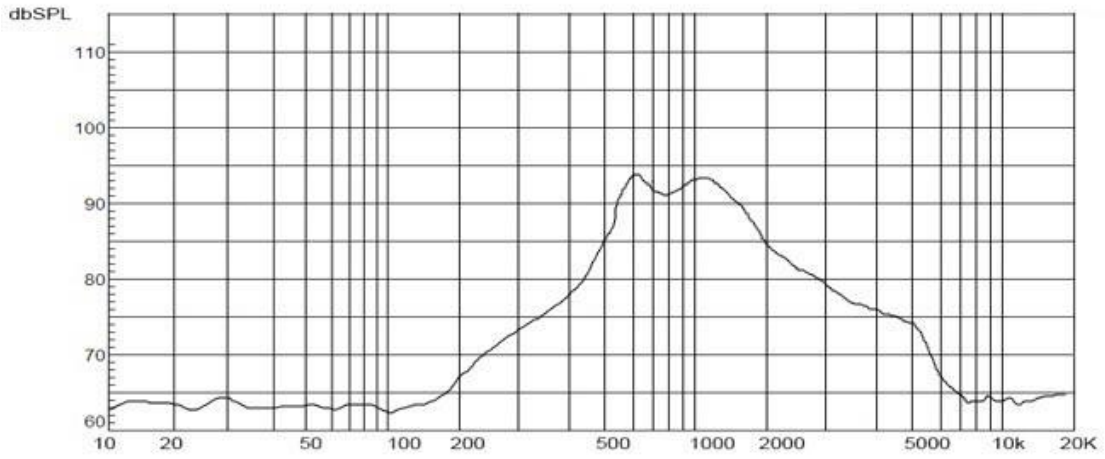


Model No.:P23W-01
size:23*7.0mm
magnet:16mm
RMS:0.25W
max power:0.5W
S.P.L:87±3dB





.	Model No.	P23W-01
<hr/>		
2	Diaphragm	
3	Frame	
4	Nominal Power:	0.25W
5	Maximum Power:	0.5W
6	Impedance:	ohm±15%Ω
7	Voice coil:	
8	Fo:	600 HZ
9	Response:	Fo-20kHz
10	S.P.L	87±3dB/0.1W/0.1
11	Magnet Size: Ferrit	
