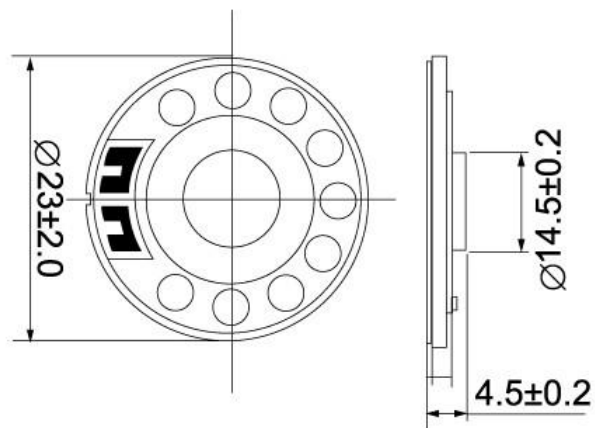
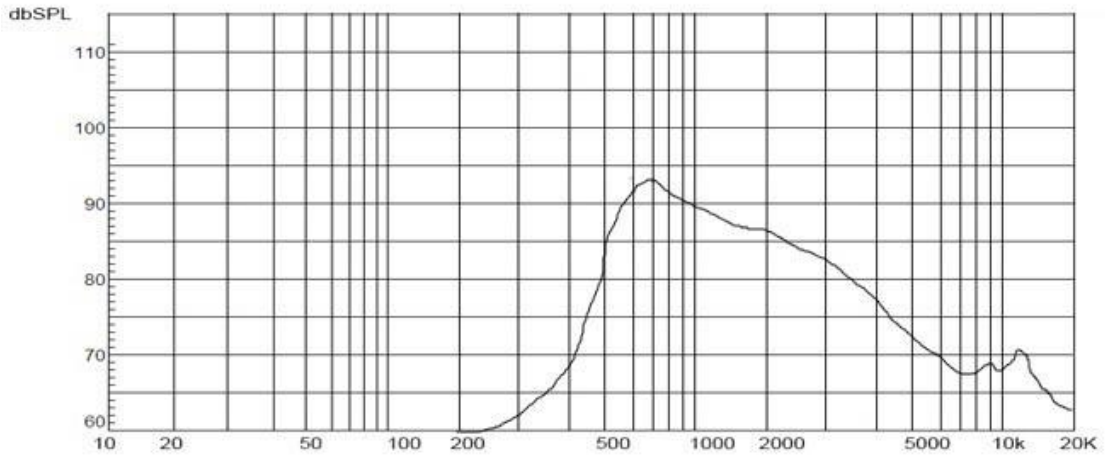


Model No.:P23N-01
size:23*3.5mm
magnet:13mm
RMS:0.25W
max power:0.5W
S.P.L:87±3dB





.	Model No.	P23N-01
---	-----------	---------

2	Diaphragme	
3	Frame	
4	Nominal Power:	0.25W
5	Maximum Power:	0.5W
6	Impedance:	ohm±15%Ω
7	Voice coil:	
8	Fo:	600 HZ
9	Response:	Fo-20kHz
10	S.P.L	87±3dB/0.1W/0.1
11	Magnet Size: NdFeB	
