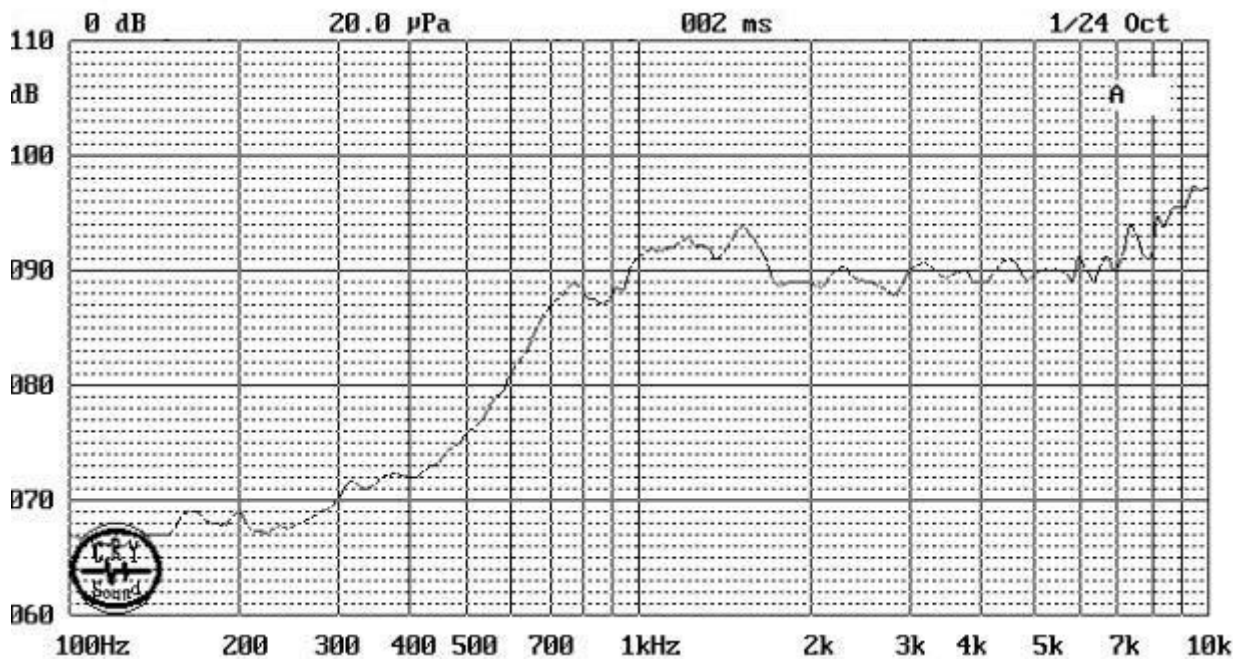
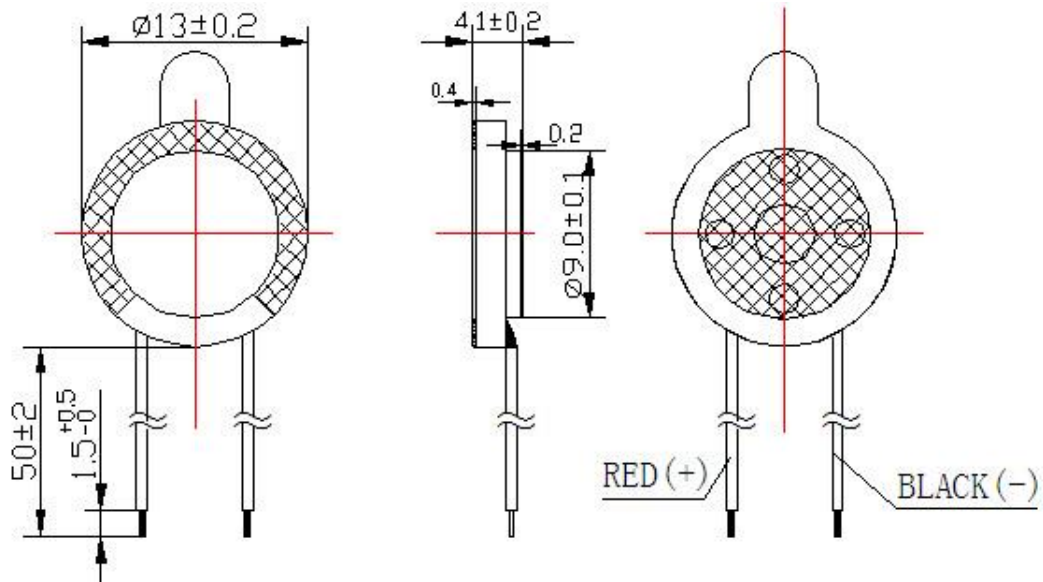




Model No.: P13N-01  
 Size: 13\*4.0mm  
 Nominal Power: 0.5w  
 Maximum power: 0.8w  
 Impedance:  $\text{ohm} \pm 15\%$   
 S.P.L:  $86 \pm 3 \text{dB/W/M}$



---

.	Model No.	P13N-01
2	Cone Material:	
3	Edge:	
4	Nominal Power:	0.5w
5	Maximum Power:	0.8w
6	Impedance:	ohm±15%Ω
7	Voice coil:	
8	Fo:	1300hz
9	Response:	Fo-20kHz
10	S.P.L:	86±3dB/W/M
11	Magnet Size:	NdFeB

---